



ILLUMINATOR LVM Emergency Lighting Inverter System

Single-Phase Emergency Lighting Systems: 110VA and 225VA



**ILLUMINATOR LVM
110VA**



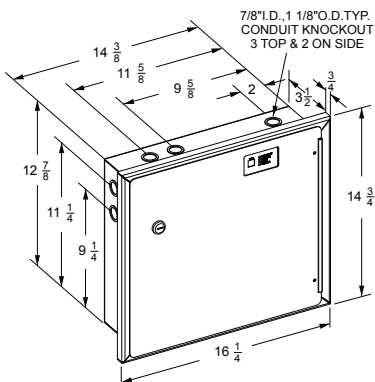
**ILLUMINATOR LVM
110 & 225VA
(Grid Mount)**



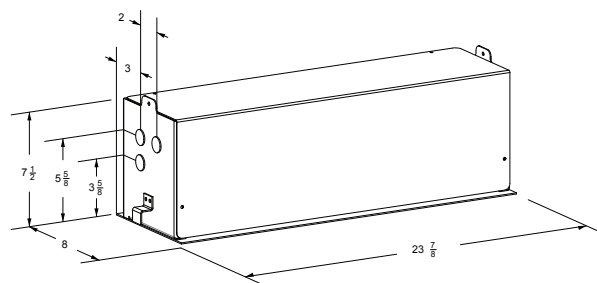
**ILLUMINATOR LVM
225VA**

STANDARD FEATURES

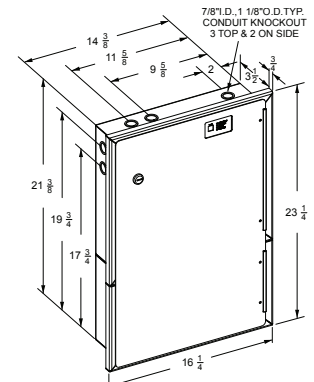
- PWM/MOSFET Pure Sine Wave Inverter Technology
- High Crest Factor and Inrush Capabilities
- Recessed/Wall Mount or Grid Mount Cabinet
- High Efficiency; No Fans Required
- 3 Stage Battery Charger Extends Battery Life
- UL924 Self Testing and Diagnostic
- Compatible with LED, HID, Fluorescent, Incandescent, and Quartz Electronic Low Voltage Lighting
- Input Fuse and Battery Fuse Protection
- Microprocessor-Controlled
- UL924 Listed
- System Status Indicators and Momentary Test Switch
- Maintenance-Free VRLA Batteries
- Output Normally On and Switched or Normally Off (with 15 Minute Time Delay) Output
- 120V or 277V Models Available
- Summary Alarm Form C Dry Contacts



110VA WALL or RECESS MOUNT

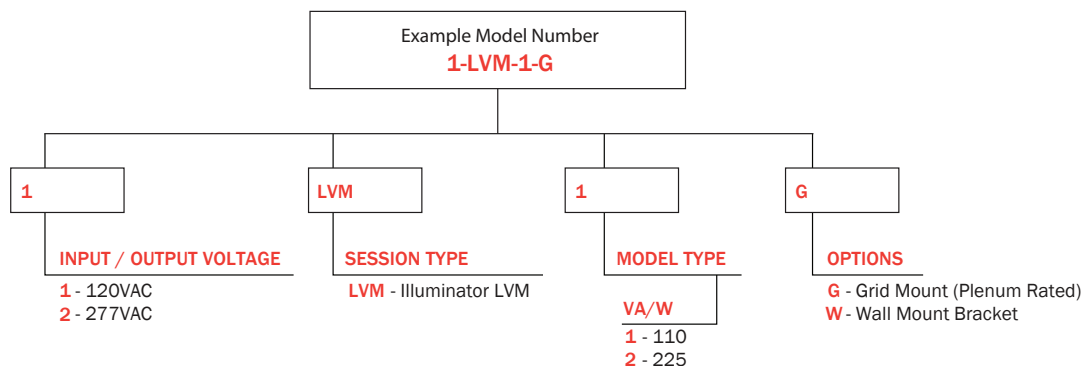


**110 & 225VA GRID MOUNT
(PLENUM RATED)**



225VA WALL or RECESS MOUNT

ORDERING GUIDE



SPECIFICATIONS

Input	Voltage Input Frequency Synchronizing Slew Rate Protection Harmonic Distortion	120 or 277VAC 1-Phase 2-Wire +10%-15% 60Hz +/- 3% 1 Hz per Second Nominal Fuse <10% for Resistive Load
Output	Voltage Static Voltage Dynamic Voltage Harmonic Distortion Overload Output Frequency Load Power Factor Inverter Overload Output Types Crest Factor	120 or 277VAC 1-Phase 2-Wire Load Current Change +/- 2%, Battery Discharge +/- 12.5% +/- 10% for Load Step Change, Recovery within 5 Cycles <3% THD for Linear Load Input Fuse Protected on AC Mains and Timed Overcurrent During Inverter Operation 60Hz +/- .05 Hz During Emergency Mode .5 Lag to .5 Lead 250% for 25 Cycles, 110% Continuously Normally-On, Normally-Off, or Switched 2.8
Battery	Type Charger Protection Disconnect	Valve Regulated Sealed Lead Calcium Micro-controller, 3-Stage Charger (Recharge in 24 hours) Fuse Protection and Automatic Low-Battery Disconnect; Automatic Restart Upon Utility Return Quick Disconnect Terminal
Environmental	Altitude Operating Temp. Storage Temp. Relative Humidity	< 10,000 Above Sea Level Without Derating Inverter: 0° - 40°C (32° - 104°F); Battery: 20° - 30°C (68° - 86°F) per UL-924 -20° - 70°C (-40° - 158°F) (electronics only) <95% Non-Condensing
General	Design Generator Input Indicator Lights & Switch Alarm Contacts Warranty Optional Warranties Factory Start Up 5 Year Service Plan	Line Interactive PWM Inverter Type Using MOFSET Technology with 2ms Transfer Time Compatible with Generators (10kVA or larger) AC Present, Charging, Ready, Inverter, and Test Switch Summary Fault Form "C" 3 Year Standard Warranty Includes All Parts; Up to 10 Year Prorated Battery Warranty Extended Warranties, Preventive Maintenance, and/or Customized Service Plans Optional Factory Start Up Available Optional 5 Year Service Plan Available
Physical	Cabinet Cooling Cable Entry Access	Wall Mount; Recess or T-Grid (Plenum Rated) Convection Cooled Top or Side Front



800-526-5088
www.myerspowerproducts.com