

# ILLUMINATOR LVM-110G Grid Mount

## Plenum Rated Emergency Inverter Series



The Illuminator LVM Series of mini inverters is an easy solution for emergency power needs. Designed with Myers EPS' advanced Pure Sine Wave technology, the mini inverters provide direct AC power and full illumination to all lighting sources including LED, fluorescent, HID quartz and screw-based LED lamps. With an ultra-wide .5 lead to .5 lag load power factor range, Myers EPS inverters offer unmatched compatibility, allowing existing fixtures to be used for both normal operation and emergency lighting without affecting the aesthetic design of the space.

<b>Catalog #</b>		<b>Type</b>
<b>Project</b>		
<b>Comments</b>		<b>Date</b>
<b>Prepared by</b>		

### ELECTRICAL SPECIFICATIONS

#### INPUT

Input Voltage.....120 or 277V, 1-phase 2-wire +10% -15%.  
 Input Frequency.....60Hz. +/- 3%  
 Input Rating.....138VA  
 Input Current.....1.5 amps at 120V or 0.6 amps at 277V  
 Harmonic Distortion.....<10% for resistive load

#### OUTPUT

Output Voltage.....120 or 277V, 1-phase 2-wire  
 Static Voltage.....Load current change +/-2%  
 Dynamic Voltage.....+/-10% load step change  
 Harmonic Distortion.....< 3% THD for linear load  
 Frequency.....60Hz. +/- .05 Hz. during emergency mode  
 Load Power Factor......5 leading to .5 lagging  
 Inverter Overload.....250% for 16 cycles, 110% continuous  
 Output Types.....Normally on, normally off, or switched  
 Crest Factor.....2.8

#### OTHER

Compatible Light Sources.....LED, Fluorescent, HID, Incandescent , Quartz  
 Transfer Time.....2-10 milliseconds  
 Emergency Operation.....90 minutes or more  
 Operating Temp. Inverter.....32° - 104° F  
 Operating Temp. Battery.....68° - 86° F (per UL-924)  
 Battery.....Valve regulated lead acid (VRLA)  
 Warranty.....3/10 Prorated



## ILLUMINATOR LVM-110G Grid Mount

Plenum Rated  
Emergency Inverter Series  
**110VA**

### FEATURES

- PWM/MOSFET Pure Sine Wave inverter technology
- UL 924 self-testing and self-diagnostics
- High crest factor capabilities
- Compatible with all light sources including LED, HID, fluorescent, incandescent, quartz and electronic low-voltage lighting
- Ultra-wide power factor range from 0.5 leading to 0.5 lagging
- Remote Mount - No distance limitations depending on wattage and wire selected
- High efficiencies, runs cool, no fans required
- Input fuse and battery fuse protection
- Three-stage battery charger extends battery life
- Output options Normally ON and Switched or Normally OFF
- Summary Alarm Form C dry contacts
- Field selected input and output voltage 120V or 277VAC
- Indicator lights for charge, ready, inverter and test switch
- Warranty:
  - Electronics - 3 years full (parts only)
  - Battery - 1 year full / 9 years prorated



**FEMA**



## ORDERING GUIDE

### Illuminator LVM Series 110VA Grid Mount Single Phase

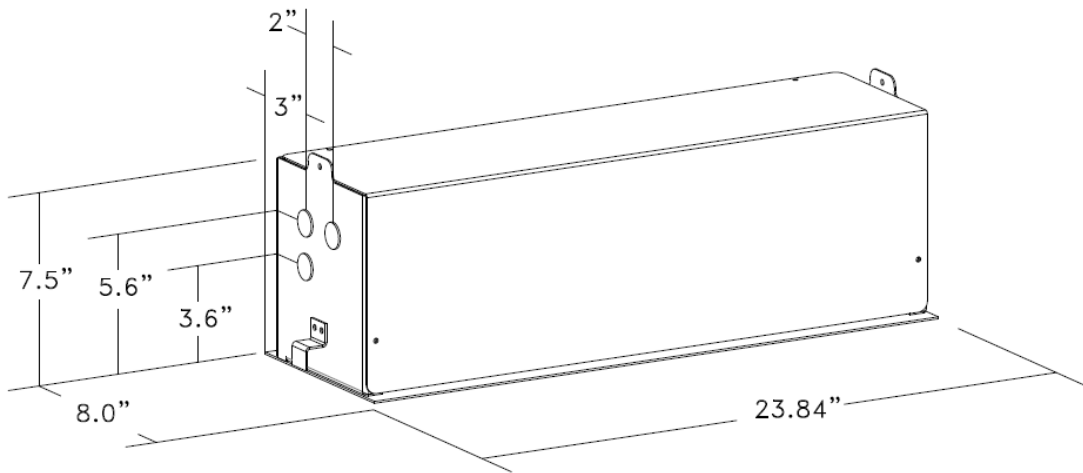
**Example: 1-LVM-1-G**, 120VAC, Illuminator LVM Series Inverter, 110W, with Grid Mount Option

INPUT / OUTPUT VOLTAGE	SYSTEM TYPE	VA/W	OPTIONS	ACCESSORIES
<b>1</b> - 120VAC	<b>LVM</b> - Illuminator Series "LVM"	<b>1</b> - 110	<b>G</b> - Grid Mount (Plenum Rated) <sup>1, 2</sup>	<b>RT</b> - Remote Test Panel
<b>2</b> - 277VAC				

1. Not available with 0-10V Dimming Option.

2. Not OSHPD rated.

## DIMENSIONS



Grid Mount Style

Clearances

Top: 6"  
Sides: 2"  
Front: 12"

Weight

37 lbs

Conduit Knockout Size

1 1/8"

### LVM-110 Grid Mount

Run Time (Minutes)	Output Power (Watts)
90 Minutes	110W
120 Minutes	80W
180 Minutes	55W
240 Minutes	45W
300 Minutes	30W
360 Minutes	25W