

ILLUMINATOR LVM-225G Grid Mount

Plenum Rated Emergency Inverter Series



The Illuminator LVM Series of mini inverters is an easy solution for emergency power needs. Designed with Myers EPS' advanced Pure Sine Wave technology, the mini inverters provide direct AC power and full illumination to all lighting sources including LED, fluorescent, HID quartz and screw-based LED lamps. With an ultra-wide .5 lead to .5 lag load power factor range, Myers EPS inverters offer unmatched compatibility, allowing existing fixtures to be used for both normal operation and emergency lighting without affecting the aesthetic design of the space.

Catalog #		Type
Project		
Comments		Date
Prepared by		

ELECTRICAL SPECIFICATIONS

INPUT

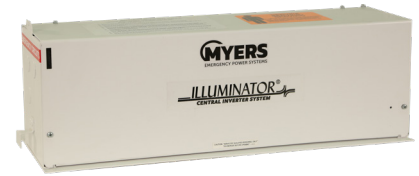
Input Voltage.....120 or 277V, 1-phase 2-wire +10% -15%.
 Input Frequency.....60Hz. +/- 3%
 Input Rating.....282VA
 Input Current.....2.6 amps at 120V or 1.1 amps at 277V
 Harmonic Distortion.....<10% for resistive load

OUTPUT

Output Voltage.....120 or 277V, 1-phase 2-wire
 Static Voltage.....Load current change +/-2%
 Dynamic Voltage.....+/-10% load step change
 Harmonic Distortion.....< 3% THD for linear load
 Frequency.....60Hz. +/- .05 Hz. during emergency mode
 Load Power Factor......5 leading to .5 lagging
 Inverter Overload.....250% for 16 cycles, 110% continuous
 Output Types.....Normally on, normally off, or switched
 Crest Factor.....2.8

OTHER

Compatible Light Sources.....LED, Fluorescent, HID, Incandescent , Quartz
 Transfer Time.....2-10 milliseconds
 Emergency Operation.....90 minutes or more
 Operating Temp. Inverter.....32° - 104° F
 Operating Temp. Battery.....68° - 86° F (per UL-924)
 Battery.....Valve regulated lead acid (VRLA)
 Warranty.....3/10 Prorated



ILLUMINATOR LVM-225G Grid Mount

Plenum Rated
Emergency Inverter Series
225VA

FEATURES

- PWM/MOSFET Pure Sine Wave inverter technology
- UL 924 self-testing and self-diagnostics
- High crest factor capabilities
- Compatible with all light sources including LED, HID, fluorescent, incandescent, quartz and electronic low-voltage lighting
- Ultra-wide power factor range from 0.5 leading to 0.5 lagging
- Remote Mount - No distance limitations depending on wattage and wire selected
- High efficiencies, runs cool, no fans required
- Input fuse and battery fuse protection
- Three-stage battery charger extends battery life
- Output options Normally ON and Switched or Normally OFF
- Summary Alarm Form C dry contacts
- Field selected input and output voltage 120V or 277VAC
- Indicator lights for charge, ready, inverter and test switch
- Warranty:
 - Electronics - 3 years full (parts only)
 - Battery - 1 year full / 9 years prorated



FEMA



ORDERING GUIDE

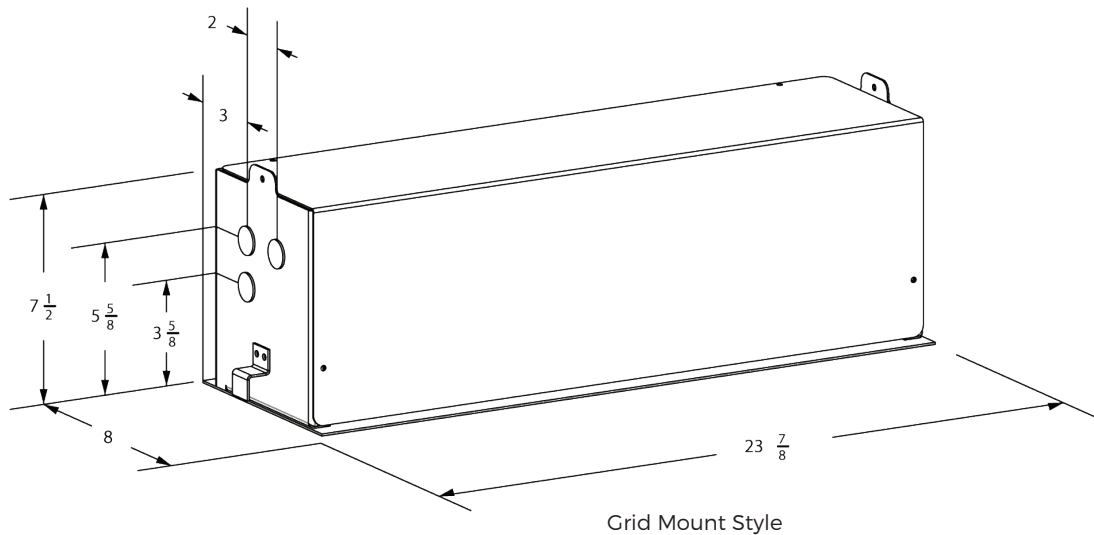
Illuminator LVM Series 110VA Grid Mount Single Phase

Example: 1-LVM-2-G, 120VAC, Illuminator LVM Series Inverter, 225W, with Grid Mount Option

INPUT / OUTPUT VOLTAGE	SYSTEM TYPE	VA/W	OPTIONS	ACCESSORIES
1 - 120VAC	LVM - Illuminator Series "LVM"	2 - 225	G - Grid Mount (Plenum Rated) ^{1, 2}	RT - Remote Test Panel
2 - 277VAC				

1. Not available with 0-10V Dimming Option.
2. Not OSHPD rated.

DIMENSIONS



Clearances

Top: 6"
Sides: 2"
Front: 12"

Weight

57 lbs

Conduit Knockout Size

1 1/8"

LVM-225 Grid Mount	
Run Time (Minutes)	Output Power (Watts)
90 Minutes	225W
120 Minutes	175W
180 Minutes	120W
240 Minutes	95W
300 Minutes	70W
360 Minutes	55W