



RLY-DIM-D

Emergency Lighting Controls

UL 1008 Transfer Relay to Switch Power Controls on Lighting Fixtures Using 2, 3, & 4-Wire Dimmable Loads



APPLICATION

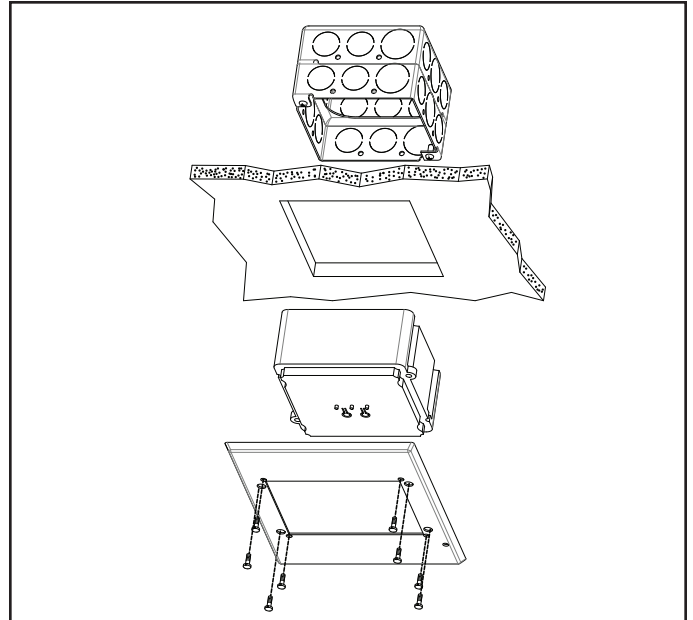
Convert regular light fixtures to approved emergency lighting and comply with life safety codes while conserving energy and preserving lighting design aesthetics with the RLY-DIM-D. This slim, unobtrusive device can be flush, surface, panel, or box mounted.

The Model RLY-DIM-D is a single zone, silent emergency transfer control with universal dimming capability. It can be used with 2-wire and 3-wire line voltage dimming systems, as well as 0-10V, DALI, and Lutron EcoSystem.

The RLY-DIM-D allows emergency lighting to be dimmed with regular lighting during normal times.

In the event of utility power interruption, the RLY-DIM-D will automatically transfer designated emergency fixtures from the dimming control to the emergency power source and bring them to full brightness, regardless of whether the dimming system is in operation or turned off.

Applications include designated dimmable emergency luminaires in public places such as auditoriums, restaurants, conference rooms, theaters, classrooms, and offices.

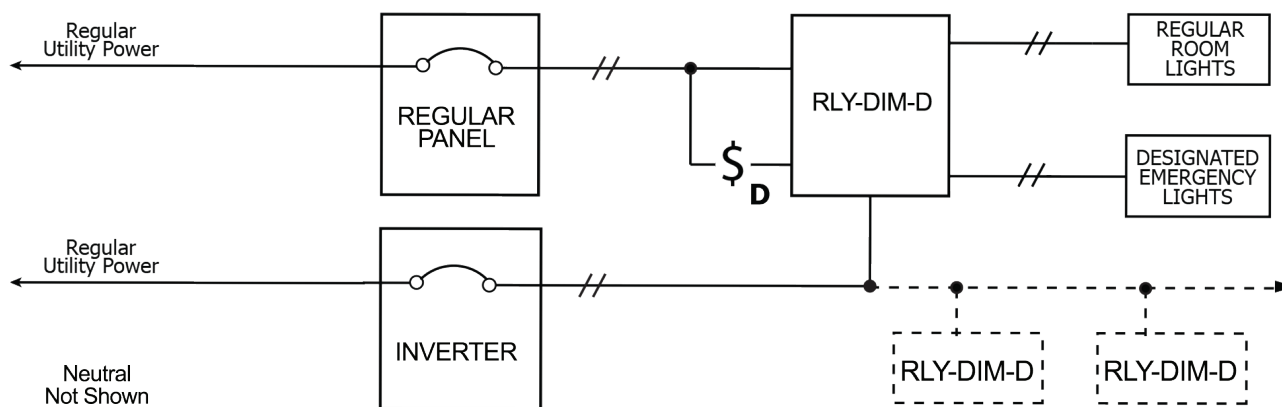


STANDARD FEATURES

- UL 1008 listed branch circuit emergency lighting transfer switch (BCELTs)
- Slim, attractive universal mount enclosure allows flush, surface, panel, and box mounting
- Utility and emergency power indicator LEDs
- Integral front-mounted test switch
- Voltage surge protection
- Plenum rated
- Field selectable automatic testing, inverter, or fire alarm interface options (contact factory for details)
- Triple Interlock (electrical, mechanical, and time delay) maximizes safety and reliability by eliminating arcing and the potential for phase to phase shorts between separate power sources during transfer
- Oversized 50A-rated relay contacts allow high inrush loads to be used safely and reliably; tested at more than 5000 cycles
- Works with normally-on and normally-off type inverter systems

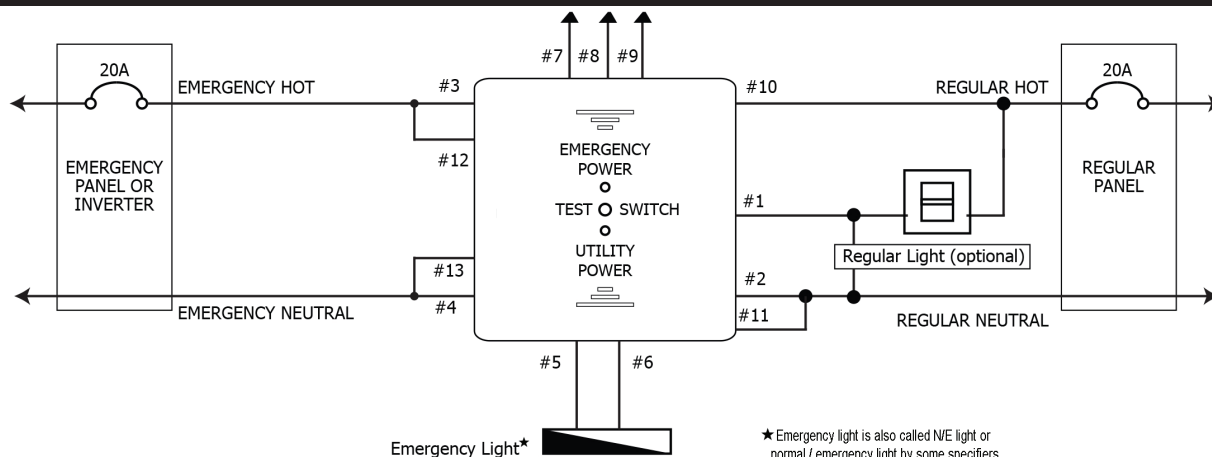


SINGLE LINE DRAWING



Note: The dimmer may be a stand-alone dimmer, a multi-zone dimmer (such as Grafik Eye), or a central dimming panel. One RLY-DIM-D is required for each dimming zone with emergency lighting.

WIRING DIAGRAM



Note: Please refer to RLY-INT/CTRL-2 installation instructions for inverter interface wiring diagram.

Note: Typical 2-wire dimming is shown above. Please see RLY-DIM-D Installation Instructions for 3-wire and 0-10V wiring diagrams.

SPECIFICATIONS

ELECTRICAL	MODEL NO.	RLY-DIM-D
	SENSING INPUT	120V - 277V
	LOAD RATING	120V - 277V (16A)
	BALLAST LOAD RATING	16A magnetic / 16A electronic
	INCANDESCENT LOAD	1920W (120V) - 4432W (277V)
	WARRANTY	5 year replacement warranty

MECHANICAL	MOUNTING	4-11/16" back up box; no plaster ring required
	RATING	UL94-5VA
	SHIPPING WEIGHT/COLOR	18 ounces / white
	TEMPERATURE	32°F - 140°F (0°C - 60°C)
	FLUSH MOUNTED SIZE	6" x 6" x 0.5" (W x H x D)
	BODY SIZE	4" x 4" x 2.3" (W x H x D)

ORDERING INFORMATION

RLY-DIM-D

ADDITIONAL RESOURCES

- Installation Instructions
- Theory of Operations & FAQ Sheet
- Alternative Wiring Diagrams
- Terms & Conditions/Warranty Information