

Illuminator CR

Outdoor-Rated Emergency Lighting Inverter System

Single Phase Systems 3KVA/KW to 8KVA/KW



STANDARD FEATURES

- UL 924 Listed for Operating Temperatures 4° to 40°C (40° to 104°F)
- Single Cabinet Design for Batteries and Inverter
- Internal Maintenance Bypass Switch
- Automatic Event, Test and Alarm Logs
- Input Circuit Breaker
- PWM/IGBT Technology
- User Programmable with Password Protection
- RS232 Communications Port

OPTIONAL FEATURES

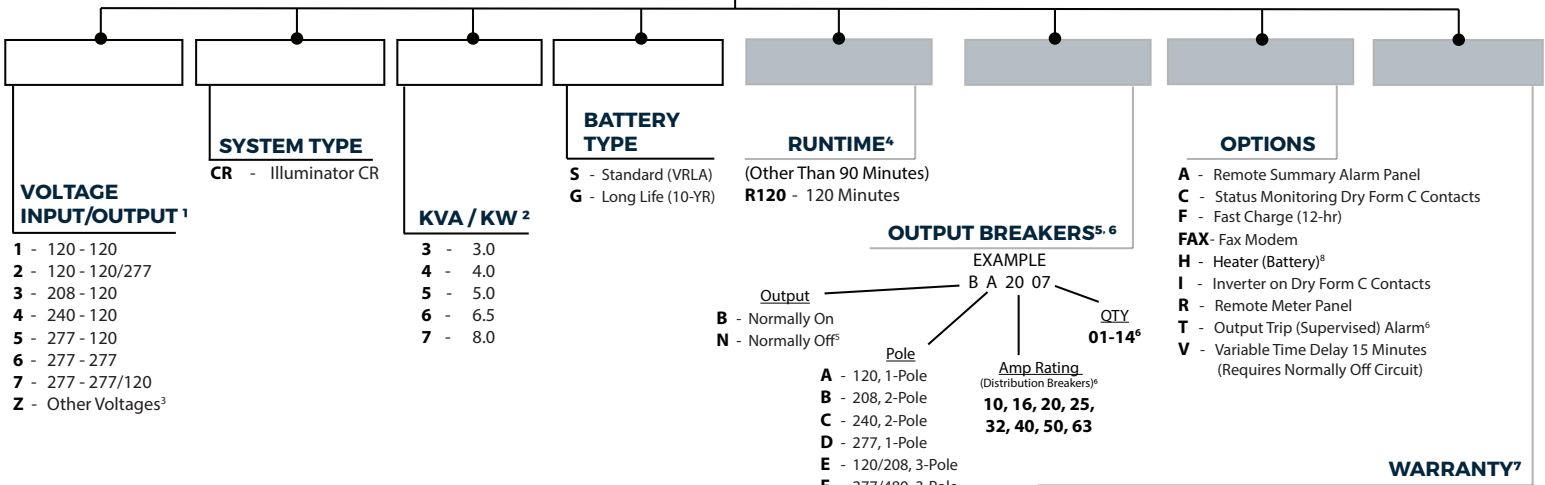
- BACnet
- Remote Meter Panel
- Output Circuit Breakers
- Extended Factory Warranty
- Factory Startup and Training
- Normally Off Output
- Output Trip Alarms
- Microprocessor-Controlled Convection Heater (extends operating temperature to -4° to 104°F)

SPECIFICATIONS

- Output Load Power Factor .5 Lag to .5 Lead
- Output Distortion Less Than 3% THD for Linear Loads
- Generator Compatibility
- 90 Minute Runtime Standard
- Compatible with Electronic and Magnetic Ballasts and LED Drivers
- Custom Voltages Available
- 1-Phase Input 120V or 277V 2W+Ground
- Output Load Power Factor .5 Lead to .5 Lag
- Temperature Controlled Forced Air Cooling, No Filters Required

ORDERING GUIDE

Example Model Number:
1-CR-4-S-BA2007-F-T-S-2YW



- Only single phase voltages available.
- KVA= KW
- Requires external NEMA 3R transformer cabinet.
- Standard battery run time is 90 minutes. Optional 120-minute run time is not available on 8.0 kVA system.
- Normally off load systems cannot exceed 20% of total kVA rating with any combination of HID loads.
- Maximum output breakers available: 14 unsupervised (1-pole), 8 supervised (1-pole). A 2-pole breaker occupies 2 positions, and a 3-pole breaker occupies 3 positions. Breakers provided are 20 Amps unless specified otherwise. List all breaker requirements separately -- ex: BA2007-NA1001.
- One-year warranty is standard.
- Extends low end of operating temperature range from 40°F to -4°F. Requires separate feed.

= Required feature for part number.
 = Optional feature. Not required for part number. Contact factory.

DIMENSIONS

Model Reference	Electronics Module								Batteries					
	Power Rating (kW / kVA)	# of Phases	Efficiency @ Full Load	Audible Noise (dBA @ 1m)	Heat Loss (BTU)	Cabinet Dimensions			Weight lbs/kg	Number of Batteries	Voltage (VDC)			
	Width in/cm	Height in/cm	Depth in/cm	Weight lbs/kg	Weight lbs/kg	Current (Amperes)	Run Time (mins)							
CR-3	3.0	1	98	45	255	48/122	76/193	30/76	805/365	740/335	10	120	37	90
CR-4	4.0	1	98	45	340	48/122	76/193	30/76	805/365	888/403	12	144	40	90
CR-5	5.0	1	98	45	408	48/122	76/193	30/76	805/365	1184/538	15	180	40	90
CR-6	6.5	1	98	45	544	48/122	76/193	30/76	805/365	1480/672	20	240	39	90
CR-7	8.0	1	98	45	680	48/122	76/193	30/76	805/365	1776/806	24	144	82	90

