

EPC-D-F-ATS FORMERLY RLY-DIM-D

UL1008 Transfer Relay Relay to Switch Power Controls on Lighting Fixtures Using 2, 3, & 4-Wire Dimmable Loads



APPLICATION

Convert regular light fixtures to approved emergency lighting and comply with life safety codes while conserving energy and preserving lighting design aesthetics with the EPC-D-F-ATS. This slim, unobtrusive device can be flush, surface, panel, or box mounted.

The Model EPC-D-F-ATS is a single zone, silent emergency transfer control with universal dimming capability. It can be used with 2-wire and 3-wire line voltage dimming systems, as well as 0-10V, DALI, and Lutron EcoSystem.

The EPC-D-F-ATS allows emergency lighting to be dimmed with regular lighting during normal times.

In the event of utility power interruption, the EPC-D-F-ATS will automatically transfer designated emergency fixtures from the dimming control to the emergency power source and bring them to full brightness, regardless of whether the dimming system is in operation or turned off.

Applications include designated dimmable emergency luminaires in public places such as auditoriums, restaurants, conference rooms, theaters, classrooms, and offices.

FEATURES

- UL1008 Listed Branch Circuit Emergency Lighting Transfer Switch (BCELTs)
- Slim, Attractive, Universal Mount Enclosure Allows Flush, Surface, Panel, And Box Mounting
- Utility And Emergency Power Indicator Leds
- Integral Front-Mounted Test Switch
- Voltage Surge Protection
- Plenum Rated
- Field Selectable Automatic Testing, Inverter, Or Fire Alarm Interface Options (Contact Factory For Details)
- Triple Interlock (Electrical, Mechanical, And Time Delay) Maximizes Safety And Reliability For Phase To Phase Shorts Between Separate Power Sources During Transfer
- Oversized 50A-Rated Relay Contacts Allow High Inrush Loads To Be Used Safely And Reliably; Tested At More Than 500 Cycles
- Works With Normally-On And Normally-Off Type Inverter Systems

LED COMPATIBLE  US
UL924 LISTED  5 YEAR WARRANTY

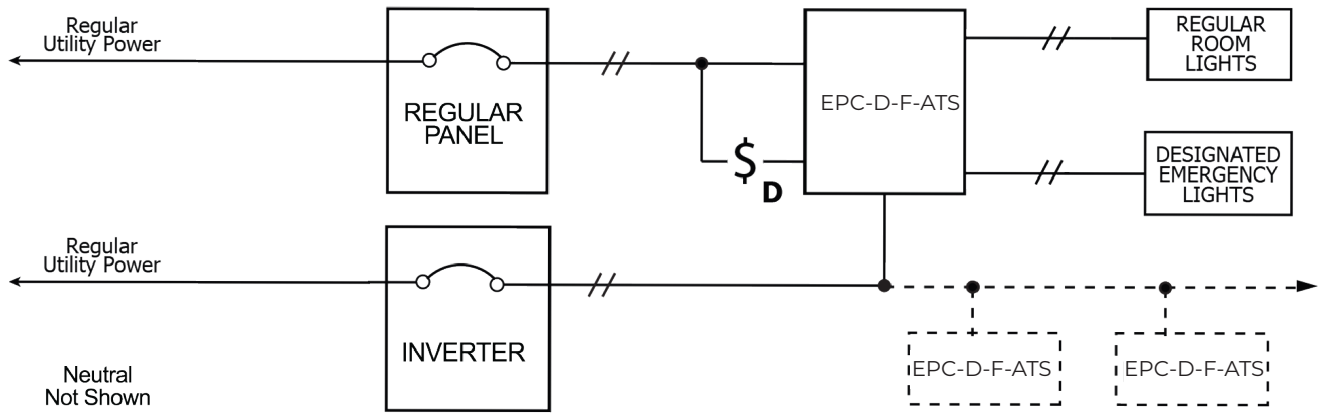


0-10V Dimming

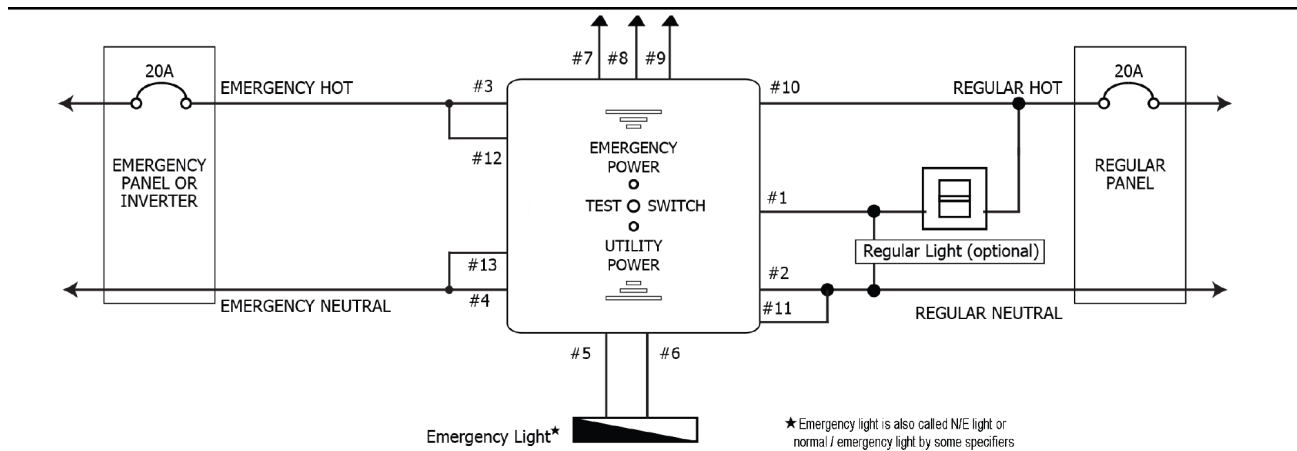


LINE VOLTAGE DIMMING

SINGLE LINE DRAWING



WIRING DIAGRAM



Note: Please refer to RLY-INT/CTRL-2 installation instructions for inverter interface wiring diagram.

SPECIFICATIONS

ELECTRICAL	MODEL NUMBER	EPC-D-F-ATS
	SENSING INPUT	120V-277V
	LOAD RATING	120V-277V (16A)
	BALLAST LOAD RATING	16A magnetic/16A electronic
	INCANDESCENT LOAD	1920W (120V) 4432W (277V)
	WARRANTY	5 year replacement warranty

MECHANICAL	MOUNTING	4-11/16" back up box; no plaster ring required
	RATING	UL94-5VA
	SHIPPING WEIGHT/COLOR	18 ounces / white
	TEMPERATURE	32°F - 140°F (0°C - 60°C)
	FLUSH MOUNTED SIZE	6" x 6" x 0.5" (W x H x D)
	BODY SIZE	4" x 4" x 4" (W x H x D)