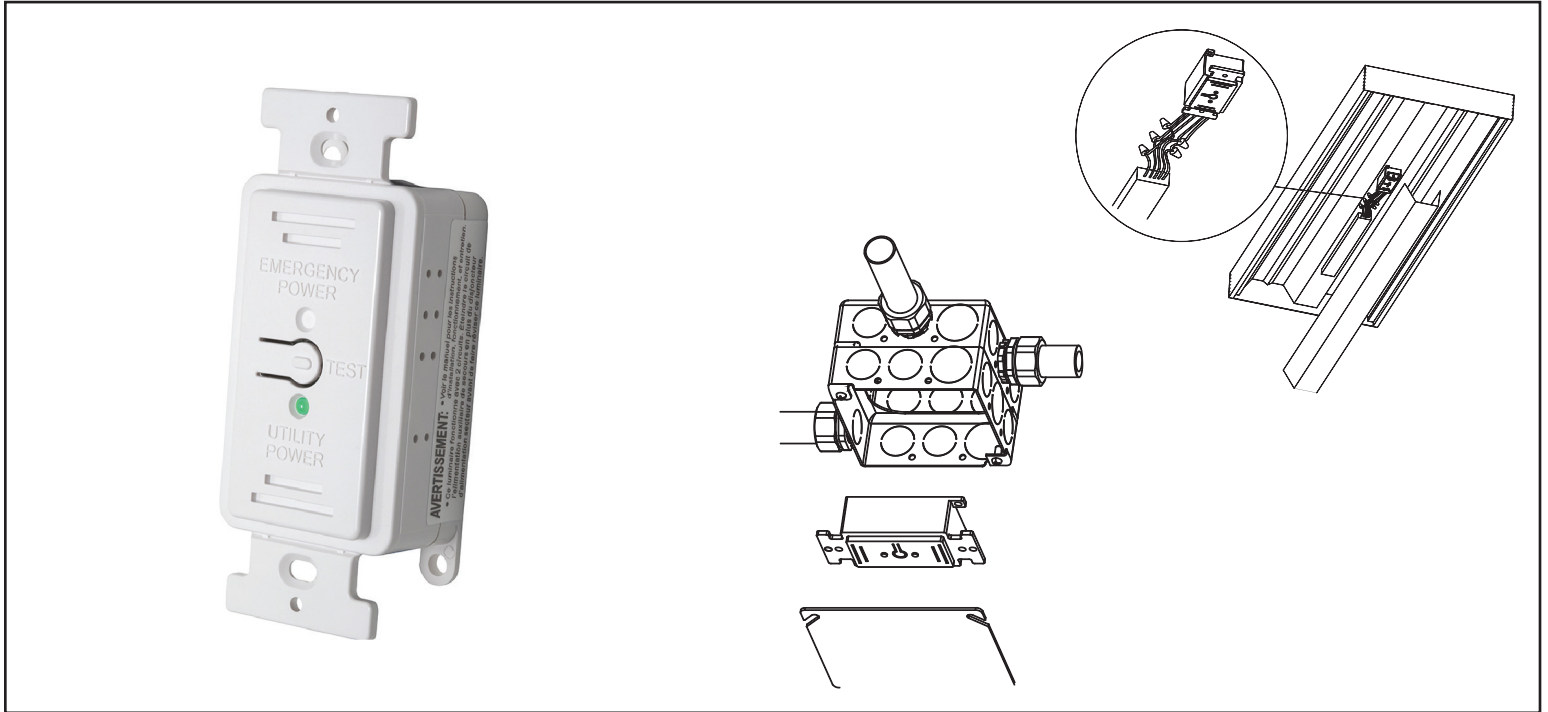


## RRU-UNV FORMERLY RLY-SW-1

UL 924 Shunt Relay to Override Single Control Device for Emergency Fixtures Only



### APPLICATION

Convert regular light fixtures to approved emergency lighting and comply with life safety codes while conserving energy and preserving lighting design aesthetics with the RRU. This slim, unobtrusive device can be flush or grid mounted for easy installation.

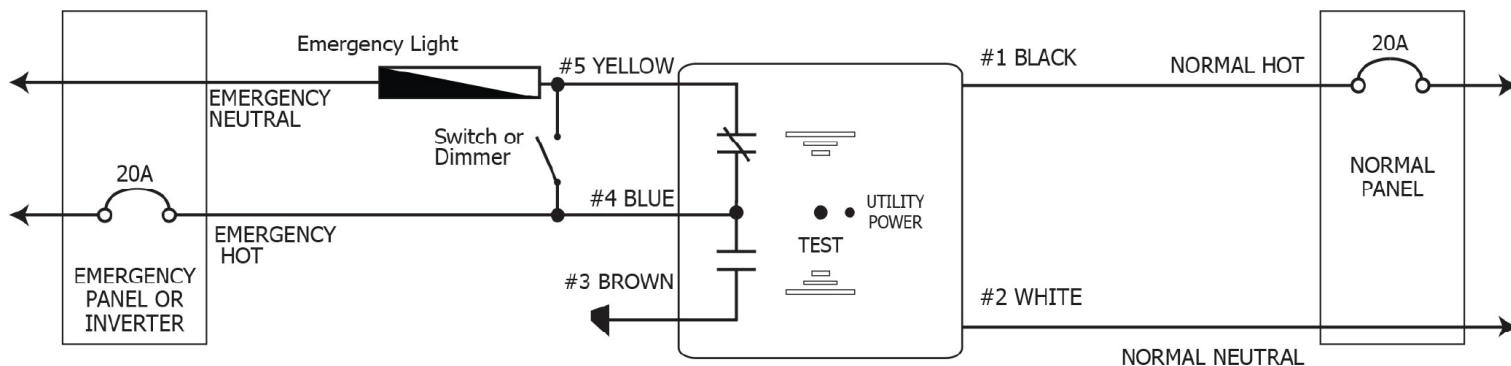
The RRU-UNV saves energy and money while ensuring compliance with both life safety and energy codes. During normal operation the emergency only occupancy sensor, relay panel, or lighting control device can switch emergency fixtures on or off.

The RRU-UNV includes a 20A rated high voltage Form C (N/O+N/C) relay and is UL924 listed for emergency lighting control applications. Its small size makes it ideal for junction box mounting in wireless or other modern lighting control systems.

### FEATURES

- UL924 listed
- Integrated test switch and green utility power indicator
- 20A rated N/O and N/C contacts that allow:
  - ◊ Bypass of line voltage switching, occupancy sensors, and dimmers
  - ◊ Communication to relay panels, BMS systems and in the event of utility power interruption inaccessible for manual testing

## WIRING DIAGRAM



Note: Emergency light is also called N/E light or Normal/Emergency light by many specifiers.

## SPECIFICATIONS

<b>ELECTRICAL</b>	MODEL NUMBER	RRU-UNV
	SENSING INPUT	120V-277V
	LOAD RATING	120V-277V (20A)
	BALLAST LOAD RATING	(20A) 120V - 277V
	INCANDESCENT LOAD	1200W (120V) - 1500W (277V)
	WARRANTY	5 year replacement warranty
	LOAD	Contact #1 (20A) 120 - 277V

<b>MECHANICAL</b>	MOUNTING	universal (flush, panel, fixture, or junction box mount)
	RATING	UL 95V-5VA; UL 2043
	SHIPPING WEIGHT/COLOR	12 ounces / white
	TEMPERATURE	10°F - 140°F (-40°C - 60°C)
	SIZE	1.7" x 3" x 1.2" (W x H x D body)