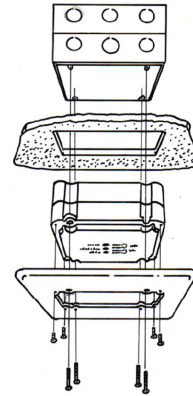


## EPC-D-F-LS

UL1008 Branch Circuit Emergency Lighting Transfer Switch for 0-10V Loads with Load Shedding

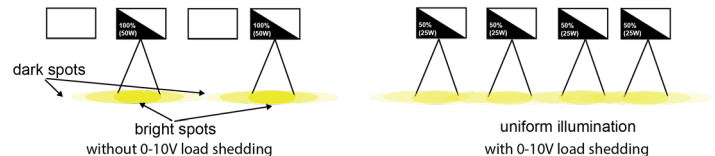


## APPLICATION

The Model EPC-D-F-LS is a single zone, silent emergency transfer control with load shedding capability. It can be used with 0-10V dimming systems and includes a patent pending 0-10V load shedding feature which reduces the power consumption of connected emergency loads during normal power interruption.

The EPC-D-F-LS allows emergency lighting to be dimmed with regular lighting during normal times. In the event of a utility power interruption, the EPC-D-F-LS will automatically transfer designated emergency fixtures from the dimming control to the emergency power source and bring them to the pre-set brightness, regardless of whether the dimming system is in operation or turned off.

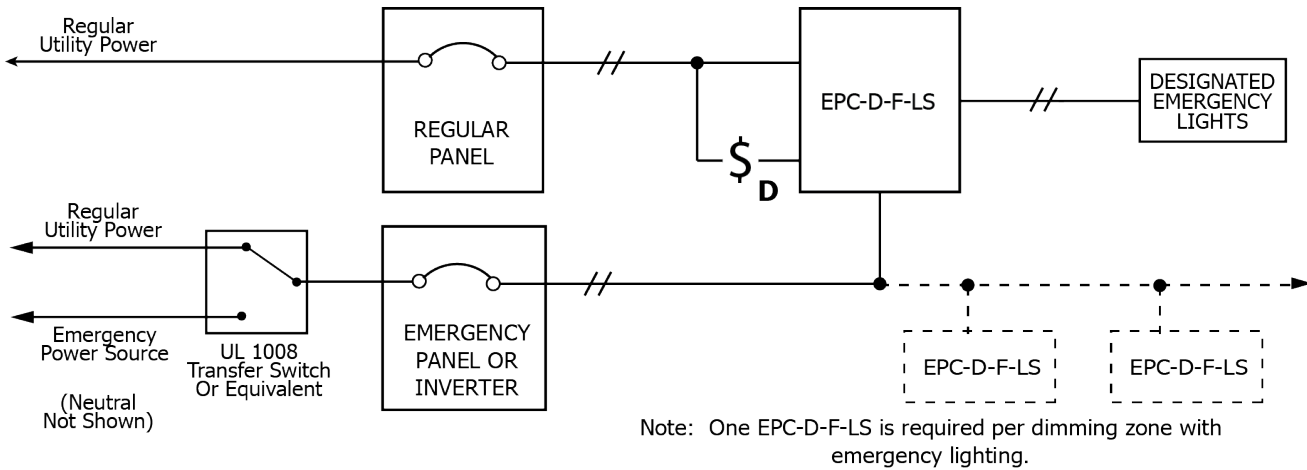
Applications of the EPC-D-F-LS include designated dimmable emergency luminaires in public places such as auditoriums, restaurants, conference rooms, theaters, and classrooms.



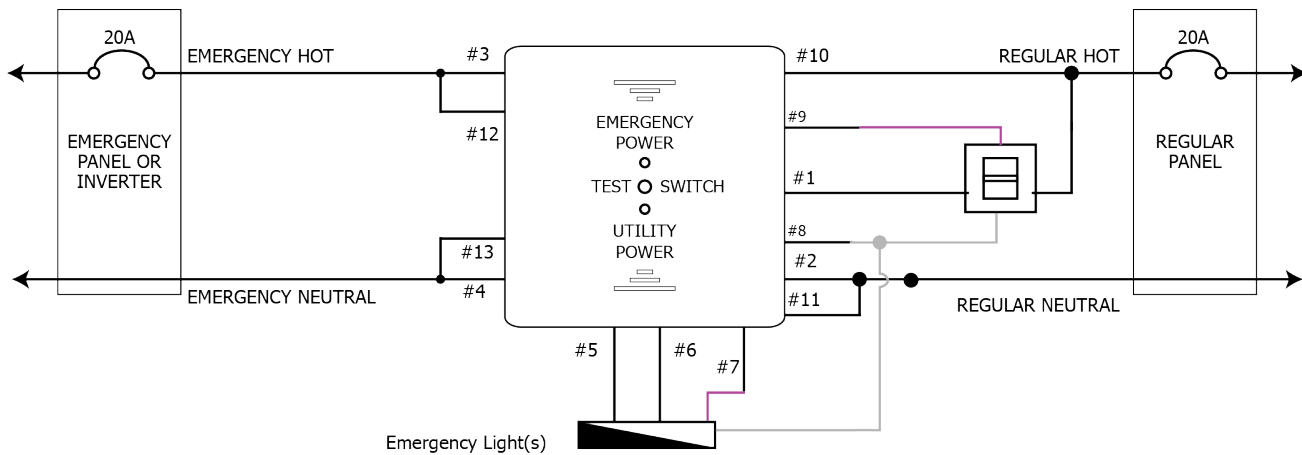
## FEATURES

- Slim, Attractive Universal Mount Enclosure Allows Flush, Surface, Panel, And Box Mounting
- Utility And Emergency Power Indicator LED's
- Integral Front Mounted Test Switch
- Patent Pending 0-10V Load Shedding Reduces Load Placed On Generator Or Inverter
- Field-Adjustable Transfer Delay To Stagger LED Inrush Current
- Includes Field-Selectable Automatic Testing & Fire Alarm Interface Options
- Triple Interlock (Electrical, Mechanical, And Time Delay) Maximizes Safety And Reliability Of EPC-D-F-LS By Eliminating Arcing And The Potential For Phase To Phase Shorts Between Separate Power Sources During Transfer
- Oversized 50A Rated Relay Contacts Allow High Inrush Loads To Be Used Safely And Reliably; Tested At Over 5000 Cycles

## SINGLE LINE DRAWING



## WIRING DIAGRAM



## SPECIFICATIONS

<b>ELECTRICAL</b>	<b>MODEL NUMBER</b>	EPC-D-F-LS
	<b>SENSING INPUT</b>	120V-277V
	<b>LOAD RATING</b>	120V-277V (16A)
	<b>BALLAST LOAD RATING</b>	16A Magnetic/16A Electronic
	<b>INCANDESCEN T LOAD</b>	1920W (120V) / 4432W (277V)
	<b>WARRANTY</b>	5 Year Replacement Warranty

<b>MECHANICAL</b>	<b>MOUNTING</b>	4-11/16" Back-up Box; no plaster ring required
	<b>RATING</b>	UL94V-0
	<b>SHIPPING WEIGHT/COLOR</b>	18 oz. / White
	<b>TEMPERATURE</b>	32°F - 140°F (0°C - 60°C)
	<b>FLUSH MOUNTED SIZE</b>	6" x 6" x 0.5"
	<b>BODY SIZE</b>	4" x 4" x 2.3"