

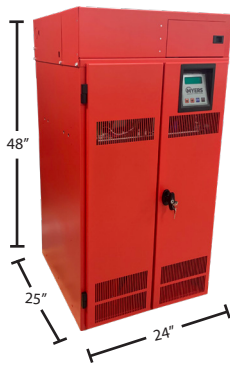
Illuminator Supernova

Single Phase Emergency Lighting Inverter System

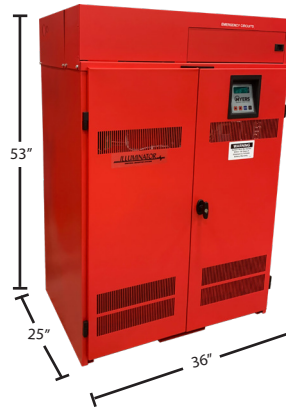
Single Phase Systems 1.75KVA/KW to 16.7KVA/KW
Designed with Industry Leading Compact Footprint

Models 10.0KVA to 16.7KVA

Models 1.75KVA to 5.0KVA



Models 6.25KVA to 7.5KVA



STANDARD FEATURES

- 98% Efficient (Typical)
- PWM/IGBT Technology and Micro-Controller
- User Programmable with Password Protection
- UL 924 Listed
- Automatic Event, Test and Alarm Log
- RS232 Communications Port
- Input Circuit Breaker
- 2ms Transfer Time
- Low Audible Noise
- NEMA Type 1 Single Cabinet Space-Saving Design
- 65kAIC Interrupting Rating

OPTIONAL FEATURES

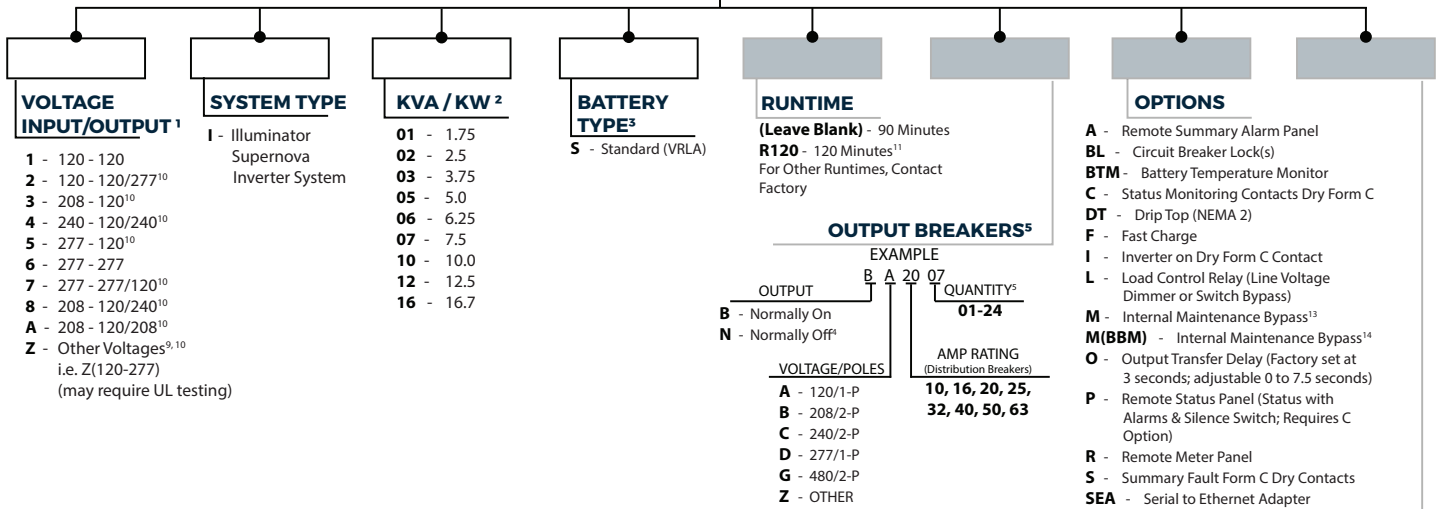
- Enhanced Communications
Expanded Building Management Protocols
NEW IoT Connect Cloud Software
- Internal or External Maintenance Bypass
- Summary Dry Form C Contacts
- Remote Meter Panel
- Output Circuit Breakers
- Factory Startup and Training
- Normally Off Output
- Output Trip Alarms
- Remote Summary Alarm Panel

SPECIFICATIONS

- Input 120 or 277VAC 1 Phase 2 Wire Plus Ground
- Output 120 or 277VAC 1 Phase 2 Wire Plus Ground
- Output Load Power Factor .5 Lag to .5 Lead
- Compatible with LED Drivers
- Forced Air Cooling Only During Emergency Operation;
No Filters Required
- Output Voltage Distortion Less than 3% THD for
Linear Loads
- Compatible with Generators (10x Inverter Size)
- Custom Voltages Available
- 90 Minute Runtime Standard;
Other Runtimes Available upon Request
- Inverter Operating Temperature 32°F to 104°F (0°C to 40°C)
- Battery Operating Temperature 68°F to 86°F (20°C to 30°C)
per UL 924 Specifications

ORDERING GUIDE

Example Model Number:
1-I-05-S-BA2007-F-2YW



- Only single phase voltages available.
- KVA= KW
- Standard battery runtime is 90 minutes.
- Normally off loads cannot exceed 20% of total KVA rating with any combination of HID loads.
- Maximum output breakers available:
 - 1.75KVA-5KVA: 12 unsupervised (1-pole) and 12 supervised (1-pole)
 - 6.25KVA-7.5KVA: 17 unsupervised (1-pole) and 17 supervised (1-pole)
 - 10KVA-16.7KVA: 24 unsupervised (1-pole) and 24 supervised (1-pole)
 Breakers provided are 20 Amps unless specified otherwise. A 2-pole breaker occupies 2 positions.
- One year warranty is standard.
- 15 minute retransfer time delay of normally off circuit after return of utility.
- Cannot purchase External Maintenance Bypass Switch with Output Breaker options.
- Contact factory.
- Enclosure dimensions will increase to 56.3"H (1.75KVA-5KVA) and 61"H (6.25KVA-7.5KVA). Remains 78.3"H (10KVA-16.7KVA).
- Not available for 16.7KVA system.
- Anchorage based on calculations. For systems requiring OSHPD/Withstand testing, please contact the factory.
- Maintenance bypass switch is a "make before break."
- Maintenance bypass switch is a "break before make."

= Required feature for part number.
 = Optional feature. Not required for part number.

NOTE: Not all options are described in UL file

Pick 1:

- BAC - BACnet (MSTP only)
- BIP - BACnet TCP/IP
- IoT - IoT Inverter Cloud Connect
- MOD - Modbus RTU
- MIP - Modbus TCP/IP

WARRANTY⁶

- 2YW - Start Up & Same Day Training
- TR - Training On Day Other Than Start Up
- 5YP - 5-Year Preventative Maintenance Plan
- 5YW - 5-Year Extended Electronics Warranty

ACCESSORIES

- EMBP(BBM) - External Maintenance Bypass^{8,14}
- SPAREF - Spare Fuses
- SPARES - Spare Parts Kit - Fuses and PCBs

DIMENSIONS

| Electronics Module (1 Cabinet per System) | | | | | | | | Batteries 90 Minutes @ Full Load (Batteries Internal to Electronics Cabinet) | | | | Total System Weight (lbs) |
|---|-------------------------|------------------------|--------------------|-----------------|--------------------|------------------|-----------------|---|---------------|----------------|--------------------------|---------------------------|
| Partial Model Number | Power Rating (KVA / KW) | Efficiency (Typical %) | Audible Noise (db) | Heat Loss (BTU) | Cabinet Dimensions | | | Number of Batteries | Voltage (VDC) | Current (amps) | Weight per Battery (lbs) | |
| | | | | | Width (in / cm) | Height (in / cm) | Depth (in / cm) | | | | | |
| I-01 | 1.75 | 98 | 45 | 119 | 24 / 61 | 48 / 122 | 25 / 64 | 4 | 48 | 46 | 80 | 567 |
| I-02 | 2.5 | 98 | 45 | 170 | 24 / 61 | 48 / 122 | 25 / 64 | 4 | 48 | 66 | 100 | 743 |
| I-03 | 3.75 | 98 | 45 | 255 | 24 / 61 | 48 / 122 | 25 / 64 | 6 | 72 | 66 | 100 | 1000 |
| I-05 | 5.0 | 98 | 45 | 340 | 24 / 61 | 48 / 122 | 25 / 64 | 8 | 96 | 66 | 100 | 1257 |
| I-06 | 6.25 | 98 | 45 | 425 | 36 / 91 | 53 / 135 | 25 / 64 | 10 | 120 | 66 | 100 | 1618 |
| I-07 | 7.5 | 98 | 45 | 510 | 36 / 91 | 53 / 135 | 25 / 64 | 12 | 144 | 66 | 100 | 1884 |
| I-10 | 10.0 | 98 | 45 | 680 | 42 / 107 | 78.3 / 199 | 25 / 64 | 12 | 144 | 88 | 120 | 2404 |
| I-12 | 12.5 | 98 | 45 | 850 | 42 / 107 | 78.3 / 199 | 25 / 64 | 15 | 180 | 88 | 120 | 2810 |
| I-16 | 16.7 | 98 | 45 | 1136 | 42 / 107 | 78.3 / 199 | 25 / 64 | 20 | 240 | 88 | 120 | 3470 |

