

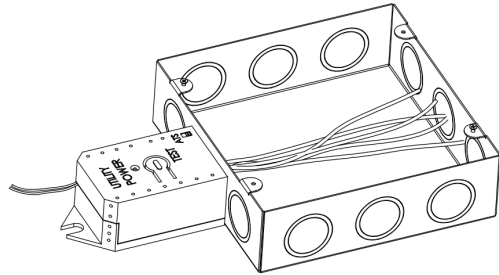
## EPC-A-2-D

UL924 Listed Emergency Power Control

*Intended for Use with Switching, 0-10V and DALI/EcoSystem Dimming Controls*



*\*Mounting ears can be quickly removed with pliers to permit mounting using threaded hub.*



2-1/2"(L) x 1-5/8"(W) x 1-3/8"(H)  
(excluding ears/hub)

Field wiring leads: 7.5"

## APPLICATION

The EPC-A-2-D saves energy and money while ensuring compliance with both life safety and energy codes. In the past, emergency lights were kept on 24 hours a day to meet life safety codes. Now, you can use a UL 924 listed Emergency Power Control, Model EPC-A-2-D, to convert normal light fixtures into approved emergency lights. During a utility power interruption, the EPC-A-2-D automatically bypasses the normal lighting controls, turning the emergency lights ON at full brightness, regardless of dimmer position.

During normal operation, the same dimmer, occupancy sensor, dimming panel, or lighting control can switch and dim normal and emergency fixtures on and off simultaneously.

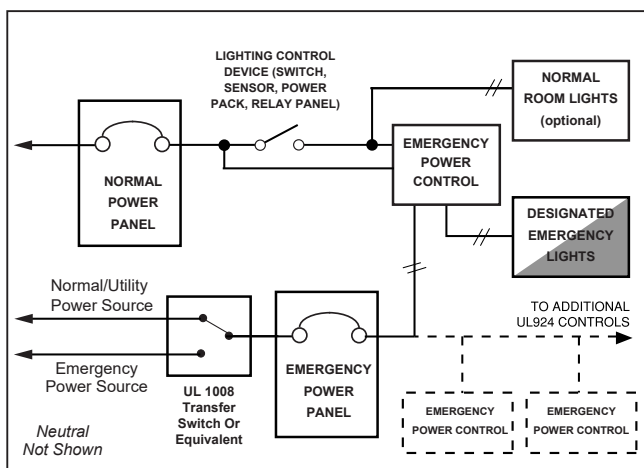
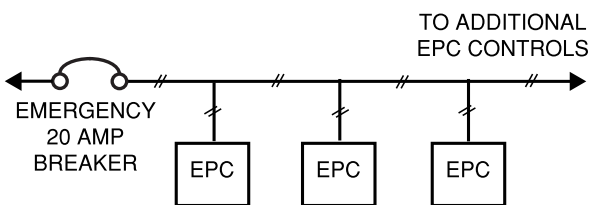
The EPC-A-2-D boasts a universal mount design with ears; allowing the device to be nipple, fixture, panel or box mounted. This enables the EPC-A-2-D to adapt to the application requirements.

## FEATURES

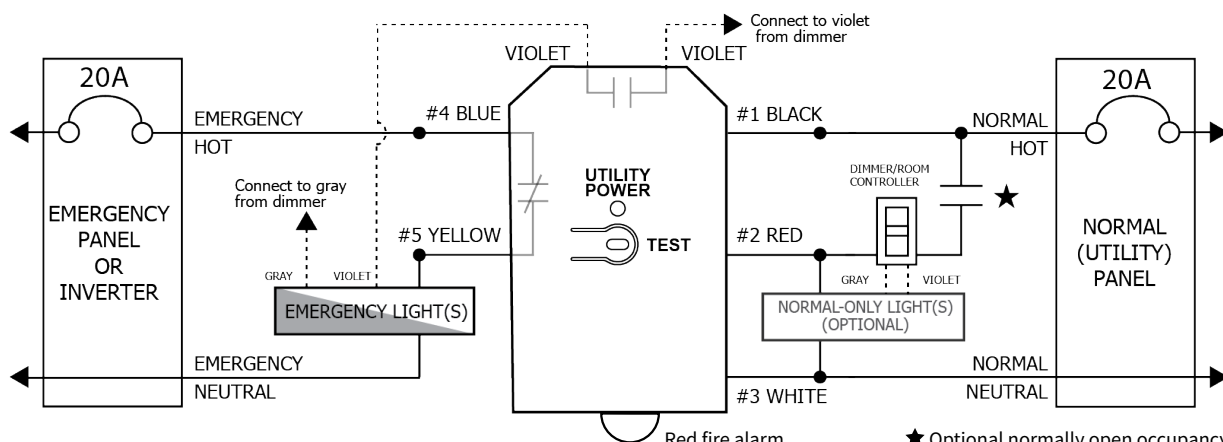
- Fire Alarm Override/Remote Test Switch Input
- Utility Power Indicator LED
- Universal Mount Design:  
Contractor friendly hub design similar to industry standard power packs for quick and easy installation.
- Isolated 0-10V Relay Contact:  
Ensures full brightness during utility power interruption, regardless of dimmer model
- Unique, Patented Automatic Diagnostic:  
When the room switch is turned off, the EPC-A-2-D will run a 2.5 seconds self-test routine, verifying that the emergency power source was available and that the EPC-A-2-D, ballast, and lamp(s) are all functioning correctly. This feature eliminates the need for time-consuming and costly manual monthly testing and is approved for this purpose. This also allows the unit to be installed in remote or inaccessible locations, because the unit does not rely on access to its manual test switch. Field selectable via "ATS" slider switch.

## SINGLE LINE DRAWING

On a 20 Amp circuit, 1 emergency power control (EPC) can control up to 16 Amp of emergency lighting load, or 20 EPC's can each control 1 Amp of emergency lighting load. One EPC is required per switch leg or zone.



## WIRING DIAGRAM



Contact factory for fire alarm override wiring detail.

Red fire alarm Jumper (see additional resources)

★ Optional normally open occupancy sensor/power pack/relay panel.

## SPECIFICATIONS

<b>ELECTRICAL RATINGS</b>	MODEL NUMBER	EPC-A-2-D
	SENSING VOLTAGE	120-240/277V
	LOAD VOLTAGE	120-240/277V
	BALLAST/DRIVER LOAD	16 Amp Electronic Ballast/LED Driver/General Use 5 Amp Magnetic Ballast
	INCANDESCENT LOAD	1800W (120V) / 3000W (277V) Normally Closed Output Contact
	WARRANTY	5 Year Limited Warranty

<b>MECHANICAL</b>	MOUNTING	Nipples on 1/2" KO
	PLENUM RATING	Plenum Rated. Tested to UL2043. UL94-5VA.
	SHIPPING WEIGHT/COLOR	4 oz. / Black
	TEMPERATURE	0°C - 60°C (32°F - 140°F)
	BODY SIZE (without hub/ears)	2-1/2" x 1-5/8" x 1-3/8"
	BODY SIZE (with hub/ears)	3-5/8" x 1-5/8" x 1-3/8"

