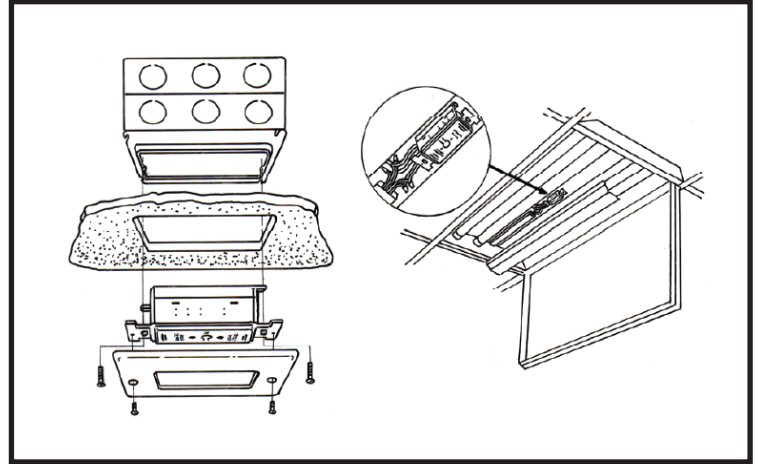


## RRU-X-UNV

UL 924 Shunt Relay to Override Single Control Device for Emergency Fixtures Only



### APPLICATION

Myers EPS is proud to announce its latest addition to the popular Shunt Line. The RRU-X-UNV includes a 20A rated high voltage Form C (N/O+N/C) relay and is UL924 Listed for emergency lighting control applications.

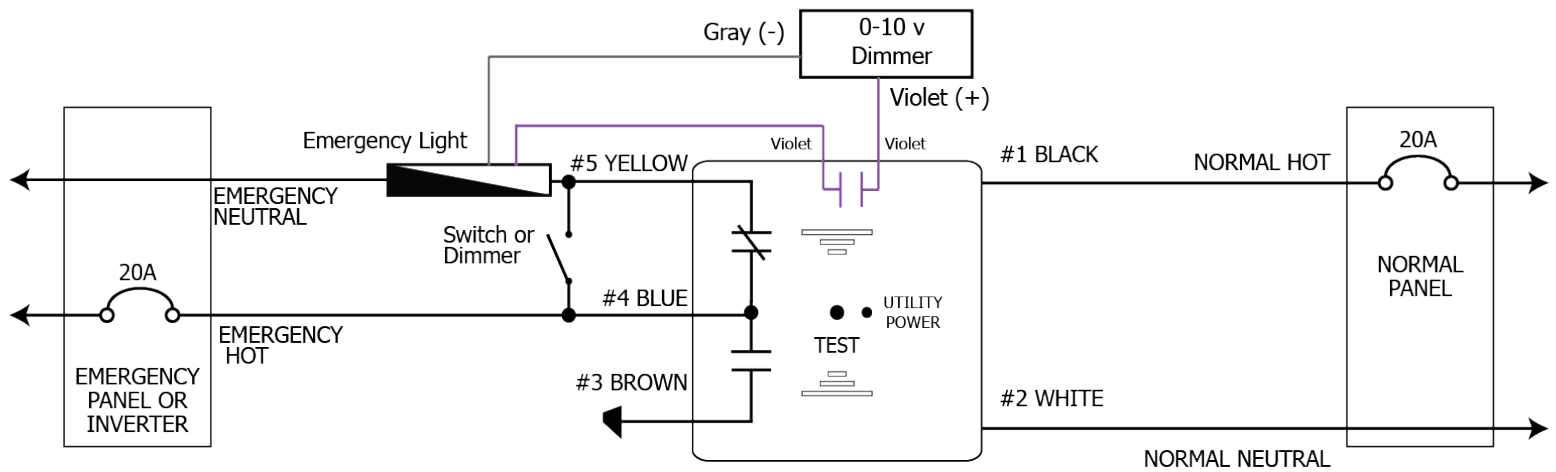
The RRU-X-UNV can bypass a line voltage switch or dimmer, ensuring that an emergency fixture illuminates at full brightness during a utility power interruption. It can also be used to open or short a DALI control signal.

Its small size makes it ideal for junction box mounting in wireless or other modern lighting control systems. An integral test switch and LED allow for quick testing and verification of proper function.

### FEATURES

- UL924 listed
- Integrated test switch and green utility power indicator
- Fire alarm override input
- 20A rated N/O & N/C contacts that allow:
  - ◊ Bypass of line voltage switching, occupancy sensors, and dimmers
  - ◊ Communication to relay panels, BMS systems and in the event of utility power interruption inaccessible for manual testing.
- 1A rated N/O contact that allow:
  - ◊ Bypass of low voltage, dimming, or switching signals from room controllers or dimmers

# WIRING DIAGRAM



Note: Emergency Light is also called N/E Light or Normal/Emergency Light by many specifiers

Note: Emergency light is also called N/E light or Normal/Emergency light by many specifiers.

# SPECIFICATIONS

<b>ELECTRICAL</b>	<b>MODEL NUMBER</b>	RRU-X-UNV
	<b>SENSING INPUT</b>	120V-277V
	<b>LOAD RATING</b>	120V-277V (20A)
	<b>BALLAST LOAD RATING</b>	(20A) 120V - 277V (Contact #1)
	<b>INCANDESCENT LOAD</b>	1200W (120V) - 1500W (277V)
	<b>WARRANTY</b>	5 year replacement warranty
	<b>LOAD</b>	Contact #1 (20A) 120 - 277V Contact #2 (1A) 30V DC

<b>MECHANICAL</b>	<b>MOUNTING</b>	Universal (Flush, Panel, Fixture, or Junction Box Mount)
	<b>RATING</b>	UL 94V-0A; Plenum Rated, Damp Location Rated
	<b>SHIPPING WEIGHT/COLOR</b>	12 ounces / white
	<b>TEMPERATURE</b>	32°F - 140°F (0°C - 60°C)
	<b>SIZE</b>	1.7" x 3" x 1.2" (W x H x D body)