

## Illuminator CIII

Emergency Lighting Inverter System

OSHPD Rated 3-Phase Systems 4.8KVA/KW to 50KVA/KW



### STANDARD FEATURES

- 98% Efficient (Typical)
- UL 924 Listed
- PWM/IGBT Technology & Microprocessor Control
- Internal Maintenance Bypass
- User Programmable with Password Protection
- Automatic Event & Alarm Log
- RS232 Communications Port
- Input Circuit Breaker
- Low Audible Noise
- Internal Battery Circuit Breaker/Fuse
- OSHPD Rated Seismic System
- 65K AIC Withstand

### OPTIONAL FEATURES

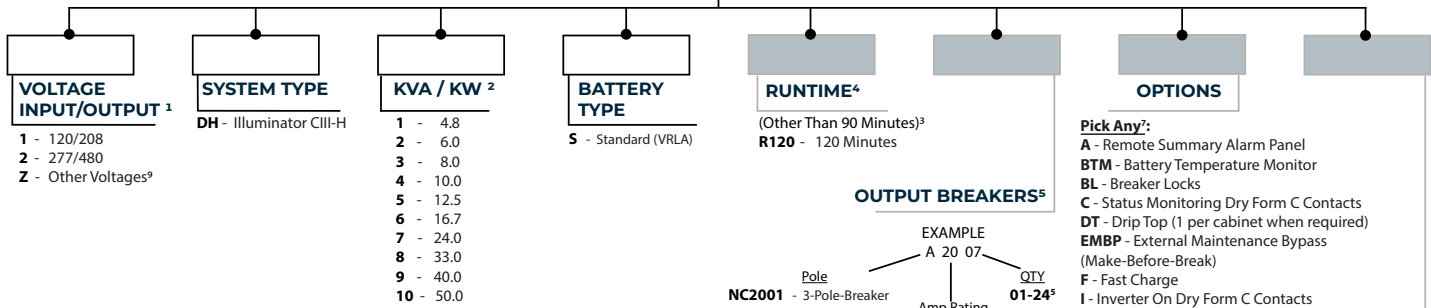
- Enhanced Communications
  - Expanded Building Management Protocols
  - BACnet or Modbus Communications Interface
  - NEW IoT Connect Cloud Software**
- External Maintenance Bypass
- Internal Maintenance Bypass
- Status Monitoring Dry Form C Contacts
- Summary Dry Form C Contacts
- Output Circuit Breakers
- Remote Meter Panel
- Extended Factory Warranty, Startup & Training

### SPECIFICATIONS

- Input 120/208 or 277/480 VAC 3 Phase 4 Wire Wye Configuration
- Output 120/208 or 277/480 VAC 3 Phase Wye Or Delta Configuration
- Output Load Power Factor .5 Lag to .5 Lead
- LED, Electronic & Magnetic Ballast Compatible
- Output Distortion Less Than 3% THD For Linear Loads
- Forced Air Cooling Only During Emergency Operation; No Filters Required
- Generator Compatibility
- 90 Minute Runtime Standard; Additional Runtimes Available Upon Request

# ORDERING GUIDE

Example Model Number:  
1-DH-4-S-A2007-F-2YW



- Standard input voltage is 4-Wire Wye. 3-Wire Delta Input requires external isolation transformer.
- KVA = KW
- Standard battery run time is 90 minutes. Cabinet(s) will vary for systems other than 120 minute runtime. Contact factory. 50KVA not available with 120 minute runtime.
- Warranty is 1 year standard includes all parts for electronics; Batteries are 1 year full, 9 years prorated.
- Maximum output breakers quantity available:  
4.8k to 16.7k systems  
12 unsupervised (1-pole) or 8 supervised (1-pole).  
With the addition of a top enclosure, an additional 30 unsupervised (1-pole) or 20 supervised (1-pole).  
24k to 50k systems  
36 unsupervised (1-pole), or 30 supervised (1-pole).  
Combinations of 1, 2 and / or 3 pole breakers available (consult factory).
- Higher Amp ratings available - contact factory.
- Not all options available are OSPHD certified.
- Contact factory with requirements for availability.
- Contact factory for availability.

☐ = Required feature for part number.  
■ = Optional feature.  
Not required for part number.

- Pick 1:**  
BAC - Bacnet (MSTP only)  
BIP - BACnet IP  
IoT - IoT Inverter Cloud Connect  
MOD - Modbus RTU  
MIP - Modbus TCP/IP  
R - Remote Meter Panel  
SEA - Serial to RJ45 Ethernet Adapter

**WARRANTY & ON-SITE SERVICES**<sup>4</sup>

- 2YW - Start Up & Same Day Training  
2YWT - Start Up, Same Day Training and Full Run Test  
5YP - 5-Year Preventative Maintenance Plan  
5YW - 5-Year Extended Electronics Warranty  
TR - Training On Day Other Than Start Up Date

## DIMENSIONS (90 MINUTE RUN SYSTEMS)<sup>3</sup>

To calculate total system width, add 7" to total width to account for seismic brackets.

Partial Model Number	UPS Electronics Module								Batteries		Battery Module								Tot. Sys. Wt.				
	Power Rating (kVA)		Power Rating (kW)		Efficiency (@ full load)(Typical)		Audible Noise (dBA @ 1m)		Heat Loss (BTU)		Cabinet Dimensions		Number of Batteries	Total Battery Weight lbs/kg	Voltage (VDC)		Current (Amperes)			Run Time (mins)		Number of Battery Cabinets	
	Width	Height	Width	Height	Width	Height	Width	Height	Width	Height	Width	Height			Width	Height	Width	Height		Width	Height	Width	Height
DH-1-S	4.8	4.8	98	45	326	30/77	47/120	25/64	535/243	888/403	12	144	39	90	30/77	47/120	25/64	210/96	1	1633/741			
DH-2-S	6.0	6.0	98	45	408	30/77	47/120	25/64	535/243	1110/504	15	180	39	90	30/77	47/120	25/64	210/96	1	1855/842			
DH-3-S	8.0	8.0	98	45	544	30/77	47/120	25/64	535/243	1480/672	20	240	39	90	30/77	47/120	25/64	232/106	1	2247/1020			
DH-4-S	10.0	10.0	98	45	680	30/77	47/120	25/64	639/290	1776/806	24	144	81	90	30/77	47/120	25/64	420/191	2	2835/1286			
DH-5-S	12.5	12.5	98	45	850	30/77	47/120	25/64	639/290	2220/1007	30	180	81	90	30/77	47/120	25/64	420/191	2	3279/1488			
DH-6-S	16.7	16.7	98	45	1136	30/77	47/120	25/64	639/290	2960/1343	40	240	81	90	30/77	47/120	25/64	464/211	2	4063/1843			
DH-7-S	24.0	24.0	98	45	1632	44/112	72/183	31/79	1250/567	4440/2014	60	240	117	90	48/122	72/183	31/79	700/318	1	6390/2899			
DH-8-S	33.0	33.0	98	45	2244	44/112	72/183	31/79	1250/567	6080/2758	80	240	160	90	48/122	72/183	31/79	1300/590	2	8630/3915			
DH-9-S	40.0	40.0	98	45	2720	44/112	72/183	31/79	1450/658	7400/3357	100	240	194	90	48/122	72/183	31/79	1300/590	2	10150/4604			
DH-10-S	50.0	50.0	98	45	3400	44/112	72/183	31/79	1480/658	9120/4137	120	240	243	90	48/122	72/183	31/79	1400/635	2	11980/5434			

