

## EPC-DMX

Emergency Power Control For DMX Controlled Loads



## APPLICATION

In the past, emergency lights were kept on 24 hours a day to meet life safety codes. Now, you can use a UL 924 listed Emergency Power Control, Model EPC-DMX, to convert normal light fixtures into approved emergency lights. The EPC-DMX saves energy and money while ensuring compliance with both life safety and energy codes.

During normal operation, emergency fixtures can be controlled by a DMX lighting control system.

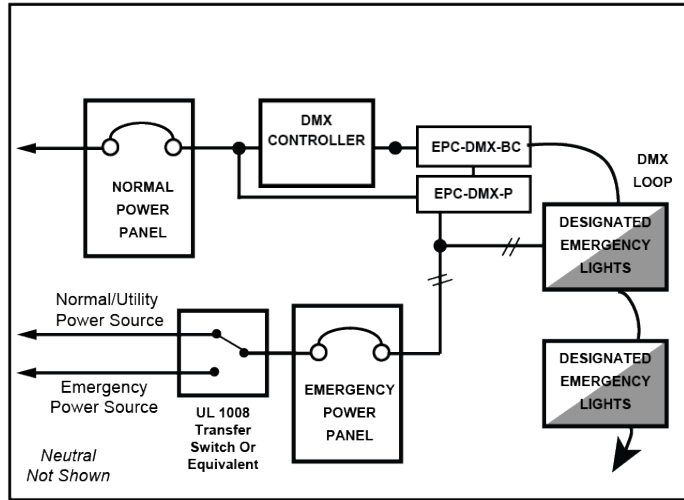
During a utility power interruption, the EPC-DMX automatically bypasses the normal lighting controls, turning the emergency lights to a preset scene, regardless of previous settings.

The EPC-DMX can be mounted in a panel or junction box.

## FEATURES

- Two-part construction for safe installation: Line voltage sensing is isolated from low voltage DMX control component.
- Automatic Diagnostics
  - ◇ Field-selectable test options including integral manual test, remote test, and automatic monthly testing.
- Fire Alarm override input
- Utility & Emergency Power Indicator LED's
- Memorize & Recall feature
  - ◇ Set the desired emergency scene and it will be recalled automatically during a power interruption.
- 3 Phase Sensing
  - ◇ Monitor 3 separate circuits for power loss conditions with a single unit.
- Integral Opto-splitter
  - ◇ Includes 3 opto-splitters
- Small size permits mounting in standard electrical junction boxes and panels

# SINGLE LINE DRAWING



## WIRING DIAGRAM

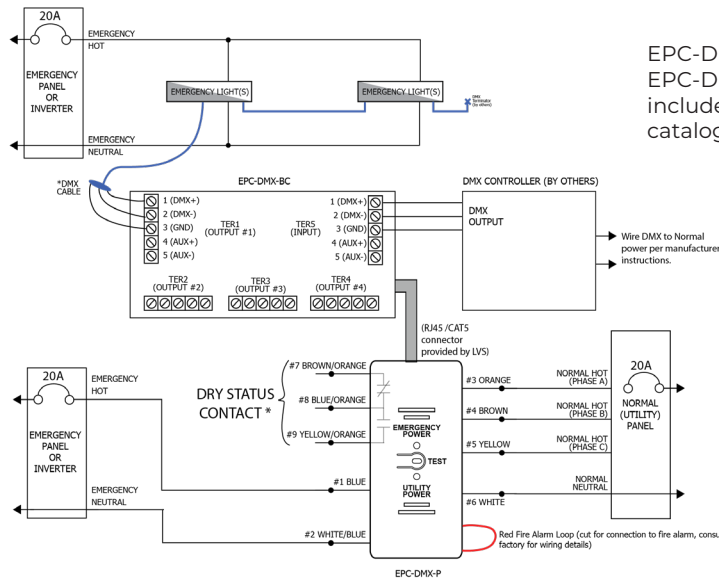
Wiring Diagram #1 (Suggested): During normal operation, the DMX controller can control emergency lighting. During emergency operation, the DMX controller recalls a pre-recorded scene to the emergency lighting.

\* DMX CABLE NOTE: Use Belden 9729 Cable or equivalent for DMX wiring.

NOTE: AUX+/AUX-outputs are optional. No connection required.

NOTE: OUTPUT #2,3,4 are optically isolated output channels. At all times they will duplicate the state of OUTPUT #1 terminal block.

Note: Dry status contact is shown in emergency state. It can be used for BMS and other remote control purposes. If unused, cap #7,8,9 leads.



EPC-DMX-BC and EPC-DMC-P are included with ordering catalog # "EPC-DMX"

## SPECIFICATIONS

<b>ELECTRICAL</b>	<b>MODEL NUMBER</b>	EPC-DMX
	<b>SENSING INPUT</b>	120-277V (3phase)
	<b>WARRANTY</b>	5 Year Limited Warranty

<b>MECHANICAL</b>	<b>MOUNTING</b>	Junction Box Mount, Panel Mount (DIN)
	<b>RATING</b>	UL94-5VA
	<b>SHIPPING WEIGHT/COLOR</b>	12 oz. / Black (pt 1) 12 oz. / White (pt 2)
	<b>TEMPERATURE</b>	0°C - 60°C (32°F - 140°F)
	<b>DIMENSIONS EPC-DMX</b>	<b>EPC-DMX-BC (PART 1):</b> 3"x4"x2.5" <b>EPC-DMX-P (PART 2):</b> 1.7"x3"x1.75"