

BAT - CG12150C

VALVE REGULATED V.R.L.A. | 10-YEAR WARRANTY*
HIGH RATE SERIES | ABSORBED GLASS MAT TECHNOLOGY (A.G.M.)

The BAT-CG12150C series of VRLA batteries is engineered for frequent cyclic discharge. Used for Myers EPS' I and G emergency lighting power systems.

BAT-CG12150C battery is warranted 1 year full, 9 years prorated.

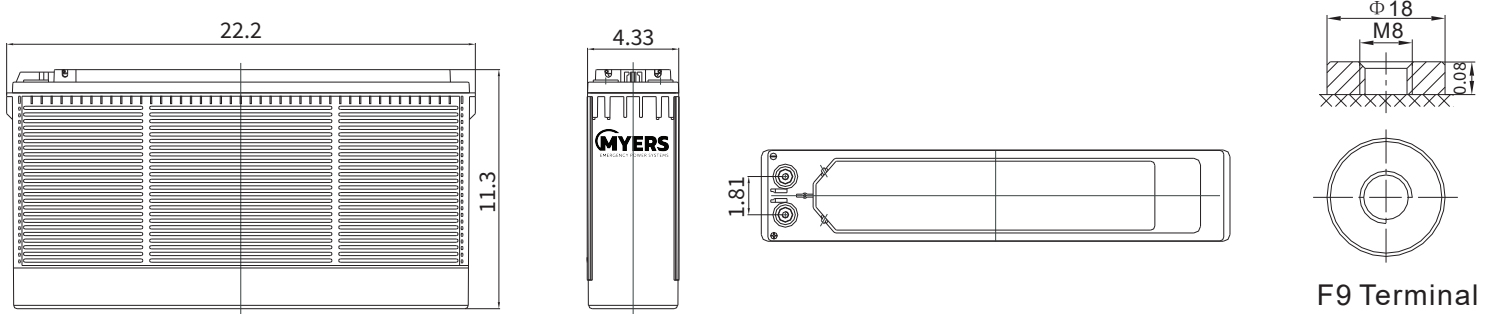


SPECIFICATIONS

Cells Per Unit	6
Voltage Per Unit	12V
Capacity	150Ah @ 10-hr rate to 1.80V per cell at 77°F (25°C)
Weight	Approximately 96lbs (43.5kg) (Tolerance ± 3%)
Maximum Discharge Current	1050A (5 seconds)
Internal Resistance	Approximately 5 mΩ
Recommended Maximum Charging Current	45A
Float Charging Voltage	13.6 to 13.8 VDC / unit Average at 77°F (25°C)
Normal Operating Temperature Range	77°F±5°F (25°C±3°C)
Operating Temperature Range	Discharge: -20°C to 60°C Charge: 0°C to 50°C Storage: -20°C to 60°C
Equalization & Cycle Service	14.6 to 14.8 VDC / unit Average at 77°F (25°C)
Self Discharge	VRLA batteries can be stored for more than 6 months at 77°F (25°C). Self-discharge ratio less than 3% per month at 77°F (25°C). Charge batteries before using.
Terminal	Terminal F9 (m8)
Terminal Torque	100 in lbs (11.3 N-m)
Container Material	A.B.S. UL94-HB

DIMENSIONS

Dimensions: 22.2" W x 11.3" H x 4.33" D



UNIT: INCHES

CONSTANT CURRENT DISCHARGE CHARACTERISTICS | UNIT: A (77°F, 25°C)

F.V / Time	15 MIN	30 MIN	1 HR	2 HR	3 HR	4 HR	5 HR	8 HR	10 HR	20 HR
1.6V	258.8	161.0	91.6	54.6	42.3	33.3	28.3	19.0	15.8	8.28
1.65V	247.4	154.5	88.5	52.9	41.0	32.4	27.6	18.8	15.6	8.15
1.70V	231.8	147.7	85.6	51.1	39.9	31.5	26.8	18.5	15.4	8.05
1.75V	215.7	141.2	82.5	49.3	38.7	30.7	26.2	18.3	15.2	7.95
1.80V	199.1	134.9	79.3	47.6	37.5	29.8	25.5	17.9	15.0	7.87
1.85V	165.2	116.2	71.2	43.6	34.7	27.7	23.8	16.8	14.1	7.47

CONSTANT CURRENT DISCHARGE CHARACTERISTICS | UNIT: W (77°F, 25°C)

F.V / Time	15 MIN	30 MIN	1 HR	2 HR	3 HR	4 HR	5 HR	8 HR	10 HR	20 HR
1.6V	452.5	292.4	172.2	103.5	80.8	63.8	54.5	37.1	31.1	16.3
1.65V	439.0	283.6	167.3	100.7	78.6	62.3	53.3	36.8	30.8	16.1
1.70V	417.3	273.8	162.8	97.9	76.8	60.9	52.1	36.3	30.3	15.9
1.75V	394.0	264.4	157.8	94.9	74.9	59.5	51.0	35.9	30.0	15.7
1.80V	368.9	255.3	152.7	92.0	72.8	58.0	49.9	35.4	29.6	15.6
1.85V	310.5	222.1	137.8	84.7	67.6	54.2	46.6	33.3	27.9	14.8