

BAT - CG12180

VALVE REGULATED V.R.L.A. | 10-YEAR WARRANTY*
HIGH RATE SERIES | ABSORBED GLASS MAT TECHNOLOGY (A.G.M.)

The BAT-CG12180 is a highly efficient, rechargeable battery that is leak-proof and maintenance free. Used for Myers EPS' I and G emergency lighting power systems.

BAT-CG12180 battery is warranted 1 year full, 9 years prorated.

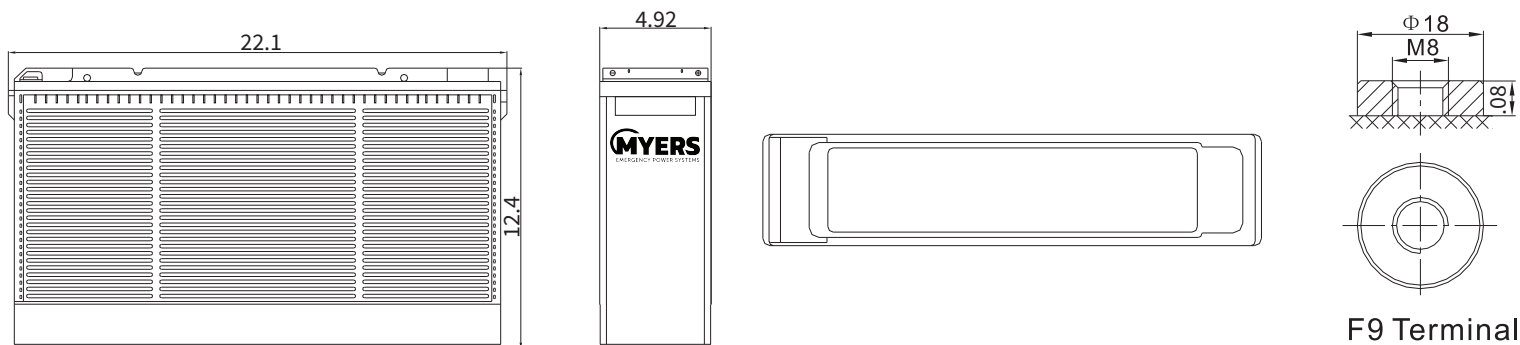


SPECIFICATIONS

Cells Per Unit	6
Voltage Per Unit	12V
Capacity	180Ah @ 10-hr rate to 1.80V per cell at 77°F (25°C)
Weight	Approximately 106lbs (48kg) (Tolerance ± 2%)
Maximum Discharge Current	1050A (5 seconds)
Internal Resistance	Approximately 5 mΩ
Recommended Maximum Charging Current	54A
Float Charging Voltage	13.6 to 13.8 VDC / unit Average at 77°F (25°C)
Normal Operating Temperature Range	77°F±5°F (25°C±3°C)
Operating Temperature Range	Discharge: -20°C to 60°C Charge: 0°C to 50°C Storage: -20°C to 60°C
Equalization & Cycle Service	14.6 to 14.8 VDC / unit Average at 77°F (25°C)
Self Discharge	VRLA batteries can be stored for more than 6 months at 77°F (25°C). Self-discharge ratio less than 3% per month at 77°F (25°C). Charge batteries before using.
Terminal	Terminal F9 (m8)
Terminal Torque	100 in lbs (11.3 N-m)
Container Material	A.B.S. UL94-HB

DIMENSIONS*

Dimensions: 4.92" W x 12.4" H x 22.1" D



F9 Terminal

*Unit: Inches

CONSTANT CURRENT DISCHARGE CHARACTERISTICS | UNIT: A (77°F, 25°C)

F.V / Time	15 MIN	30 MIN	1 HR	2 HR	3 HR	4 HR	5 HR	8 HR	10 HR	20 HR
1.6V	319.6	212.3	128.7	74.7	53.3	41.9	34.6	22.8	19.0	9.93
1.65V	305.5	203.8	124.3	72.3	51.7	40.8	33.7	22.6	18.8	9.78
1.70V	286.2	194.8	120.2	69.9	50.3	39.7	32.9	22.2	18.5	9.66
1.75V	266.3	186.2	115.8	67.5	48.8	38.6	32.0	21.9	18.2	9.54
1.80V	245.9	178.0	111.4	65.1	47.3	37.5	31.2	21.5	18.0	9.44
1.85V	204.0	153.3	99.9	59.6	43.7	34.9	29.1	20.2	16.9	8.97

CONSTANT CURRENT DISCHARGE CHARACTERISTICS | UNIT: W (77°F, 25°C)

F.V / Time	15 MIN	30 MIN	1 HR	2 HR	3 HR	4 HR	5 HR	8 HR	10 HR	20 HR
1.6V	558.7	385.6	241.8	141.6	101.8	80.4	66.8	44.6	37.3	19.6
1.65V	542.1	374.0	234.9	137.7	99.1	78.6	65.3	44.2	36.9	19.3
1.70V	515.3	361.1	228.6	133.9	96.8	76.7	63.8	43.6	36.4	19.1
1.75V	486.5	348.7	221.6	129.8	94.3	75.0	62.4	43.1	36.0	18.9
1.80V	455.6	336.6	214.4	125.8	91.8	73.1	61.0	42.4	35.6	18.7
1.85V	383.4	292.8	193.4	115.9	85.2	68.2	57.1	39.9	35.5	17.8