

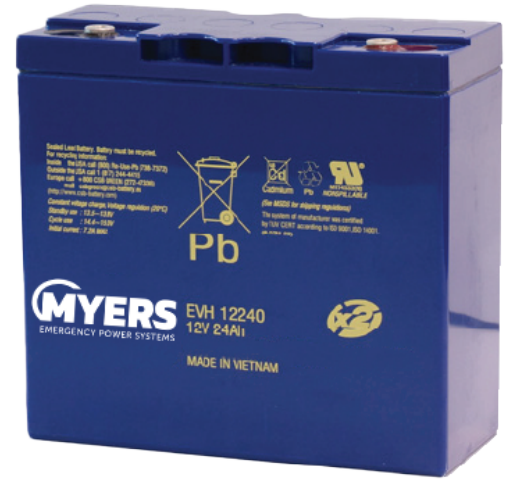


BAT-CG12024A

VALVE REGULATED V.R.L.A. | 10-YEAR WARRANTY
HIGH RATE SERIES | ABSORBED GLASS MAT TECHNOLOGY (A.G.M.)

Myers EPS BAT-CG12024A is a general purpose battery designed with heavy-duty parts. These highly reliable batteries are top rated in both performance and service life. Used for Myers EPS' LVM emergency lighting power system.

BAT-CG12024A battery is warranted 1 year full, 9 years prorated.

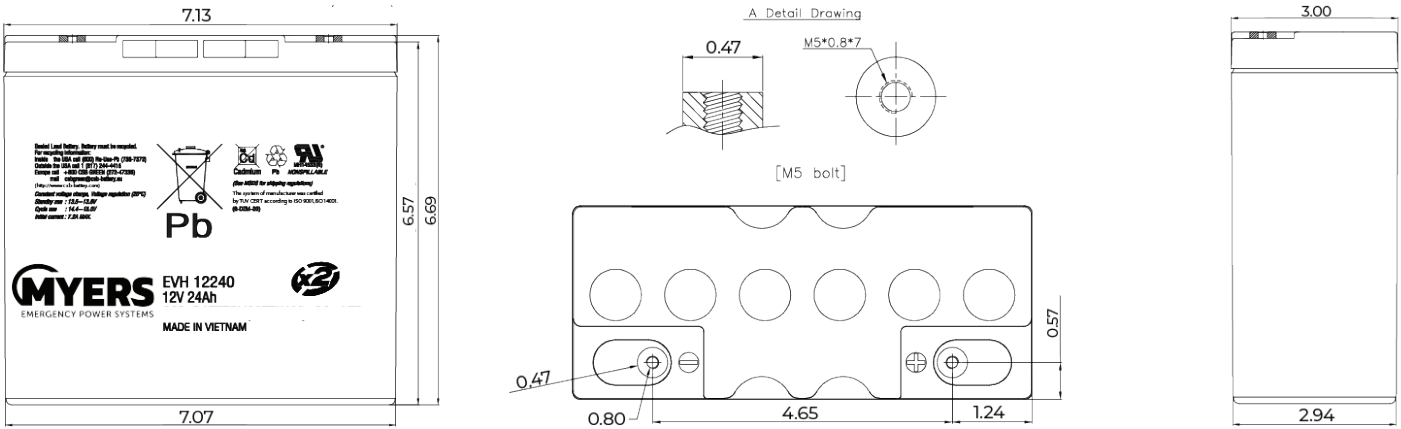


SPECIFICATIONS

Cells Per Unit	6
Voltage Per Unit	12V
Capacity	24Ah@20hr-rate to 1.75V per cell @77°F (25°C)
Weight	Approximately 16.64 lbs
Maximum Discharge Current	320A (5 sec)
Internal Resistance	Approx. 9 mΩ
Float Charging Voltage	13.5 to 13.8 VDC/unit Average at @77°F (25°C)
Normal Operating Temperature	77°F±5°F (25°C±3°C)
Operating Temperature Range	Discharge: 5°F to 122°F (-15°C to 50°C) Charge: 5°F to 104°F (-15°C to 40°C) Storage: 5°F to 104°F (-15°C to 40°C)
Recommended Maximum Charging Current Limit	7.2 A
Self Discharge	CSB Batteries can be stored for more than 6 months at 77°F (25°C.) Please charge batteries before using. For higher temperatures the time interval will be shorter.
Terminal	I1-Thread lead alloy recessed terminal to accept M5 bolt
Container Material	A.B.S. (UL94-HB), Flammability resistance of (UL94-V0) can be available upon request.



DIMENSIONS



UNIT: INCHES

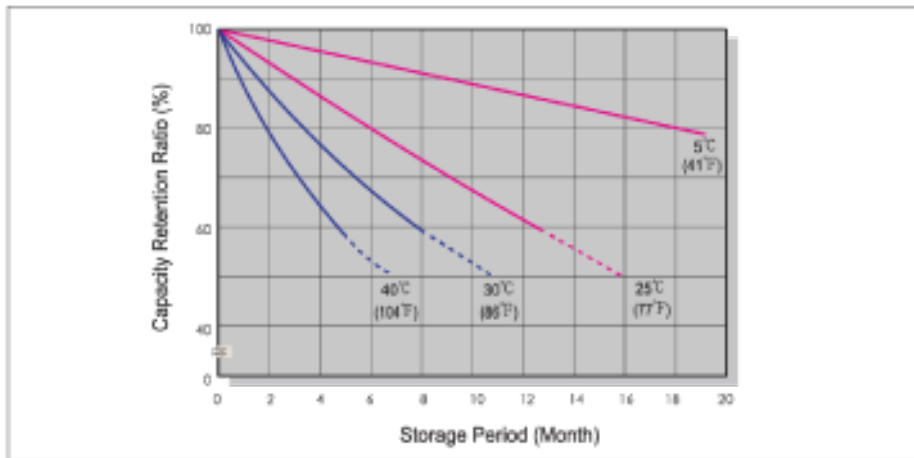
CONSTANT CURRENT DISCHARGE CHARACTERISTICS | UNIT: A (77°F, 25°C)

F.V / Time	30 MIN	60 MIN	90 MIN	2 HR	3HR	4 HR	5 HR	8 HR	10 HR	20 HR
1.60V	29.9	17.7	13.0	10.3	7.50	5.84	4.84	3.16	2.57	1.31
1.67V	29.6	17.5	12.91	10.2	7.44	5.83	4.78	3.15	2.56	1.30
1.70V	29.4	17.4	12.8	10.1	7.41	5.82	4.77	3.14	2.55	1.29
1.75V	29.0	17.2	12.7	10.0	7.32	5.74	4.73	3.09	2.52	1.28
1.80V	28.4	17.0	12.5	9.98	7.16	5.65	4.64	3.06	2.49	1.27
1.85V	27.0	16.2	11.9	9.56	6.85	5.44	4.47	2.91	2.34	1.17

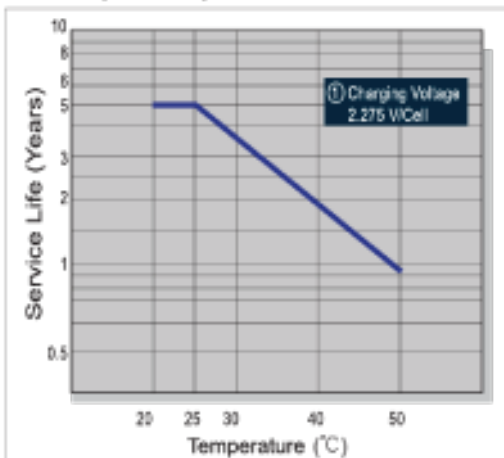
CONSTANT POWER DISCHARGE CHARACTERISTICS | UNIT: W (77°F, 25°C)

F.V / Time	30 MIN	60 MIN	90 MIN	2 HR	3HR	4 HR	5 HR	8 HR	10 HR	20 HR
1.60V	346	208	154	123	88.9	69.9	58.6	38.3	31.4	16.2
1.67V	343	207	153	122	88.7	69.8	57.6	38.1	31.2	16.1
1.70V	340	206	152	121	87.9	69.1	57.4	38	31	16
1.75V	338	205	151	120	87.3	68.4	56.9	37.8	30.7	15.9
1.80V	331	199	147	118	85.1	67.1	55.9	37.2	30.3	15.7
1.85V	313	193	142	115	82.9	65.3	54.4	36.1	29.6	15.4

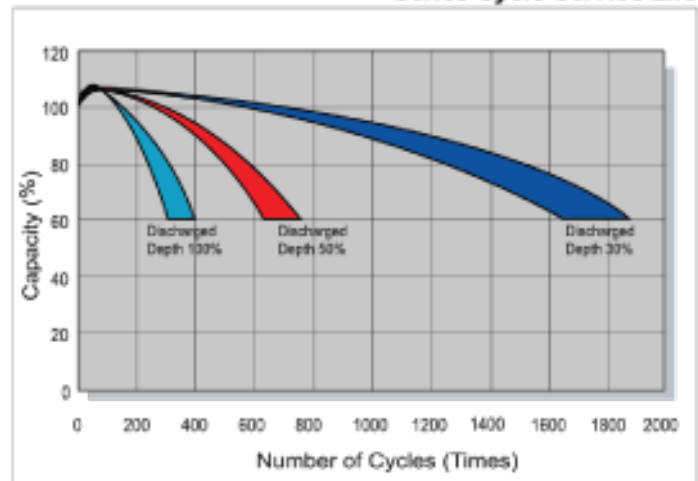
Capacity Retention Characteristic



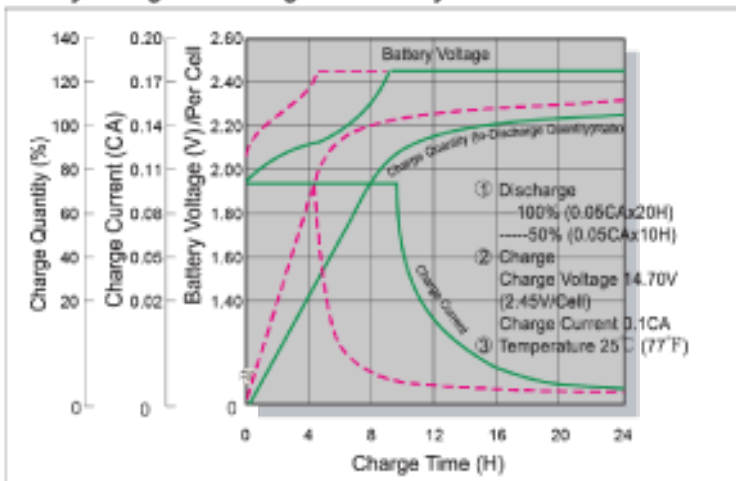
Trickle (or Float) Service Life



Series Cycle Service Life



Battery Voltage and Charge Time for Cycle Use



Terminal Voltage (V) and Discharge Time

