

## Illuminator Supernova

Single Phase Emergency Lighting Inverter System

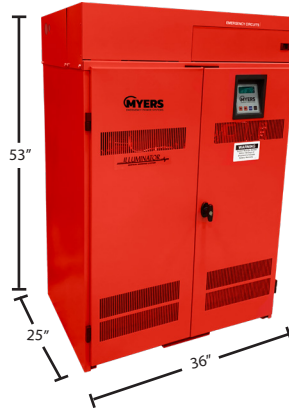
Single Phase Systems 1.75KVA/KW to 16.7KVA/KW  
Designed with Industry Leading Compact Footprint

Models 10.0KVA to 16.7KVA

Models 1.75KVA to 5.0KVA



Models 6.25KVA to 7.5KVA



### STANDARD FEATURES

- 98% Efficient (Typical)
- PWM/IGBT Technology and Micro-Controller
- User Programmable with Password Protection
- UL 924 Listed
- Automatic Event, Test and Alarm Log
- RS232 Communications Port
- Input Circuit Breaker
- 2ms Transfer Time
- Low Audible Noise
- NEMA Type 1 Single Cabinet Space-Saving Design
- 65kAIC Interrupting Rating

### OPTIONAL FEATURES

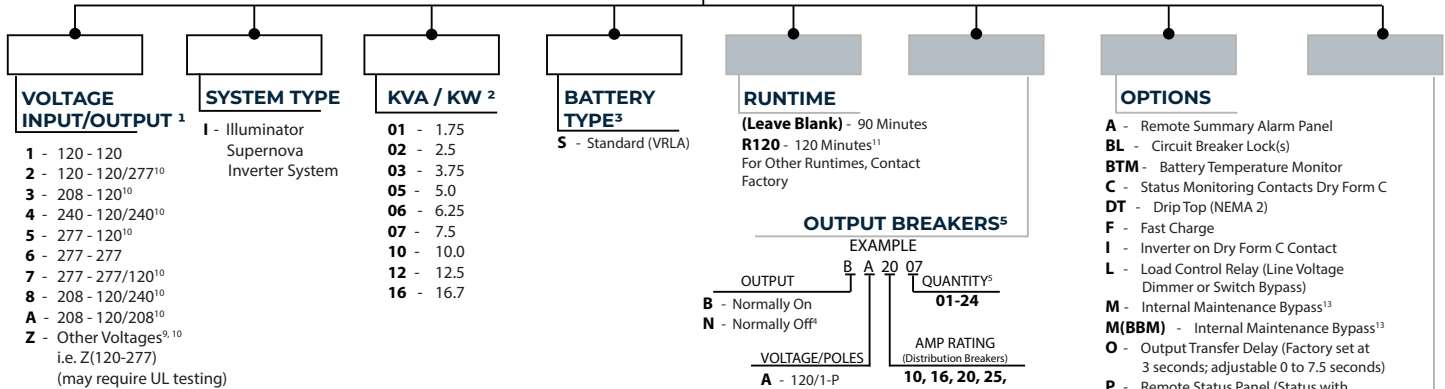
- Enhanced Communications  
Expanded Building Management Protocols  
**NEW IoT Connect Cloud Software**
- Internal or External Maintenance Bypass
- Summary Dry Form C Contacts
- Remote Meter Panel
- Output Circuit Breakers
- Factory Startup and Training
- Normally Off Output
- Output Trip Alarms
- Remote Summary Alarm Panel

### SPECIFICATIONS

- Input 120 or 277VAC 1 Phase 2 Wire Plus Ground
- Output 120 or 277VAC 1 Phase 2 Wire Plus Ground
- Output Load Power Factor .5 Lag to .5 Lead
- Compatible with LED Drivers
- Forced Air Cooling Only During Emergency Operation;  
No Filters Required
- Output Voltage Distortion Less than 3% THD for Linear Loads
- Compatible with Generators (10x Inverter Size)
- Custom Voltages Available
- 90 Minute Runtime Standard;  
Other Runtimes Available upon Request
- Inverter Operating Temperature 32°F to 104°F (0°C to 40°C)
- Battery Operating Temperature 68°F to 86°F (20°C to 30°C)  
per UL 924 Specifications

# ORDERING GUIDE

Example Model Number:  
1-I-05-S-BA2007-F-2YW



- Only single phase voltages available.
- KVA= KW
- Standard battery runtime is 90 minutes.
- Normally off loads cannot exceed 20% of total KVA rating with any combination of HID loads.
- Maximum output breakers available:
  - 1.75KVA-5KVA: 17 unsupervised (1-pole); or 11 supervised (1-pole)
  - 6.25KVA-7.5KVA: 24 unsupervised (1-pole); or 16 supervised (1-pole)
  - 10KVA-16.7KVA: 33 unsupervised (1-pole); or 22 supervised (1-pole)
 Breakers provided are 20 Amps unless specified otherwise. A 2-pole breaker occupies 2 positions.
- One year warranty is standard.
- 15 minute retransfer time delay of normally off circuit after return of utility.
- Cannot purchase External Maintenance Bypass Switch with Output Breaker options.
- Contact factory.
- Enclosure dimensions will increase to 56.3"H (1.75KVA-5KVA) and 61"H (6.25KVA-7.5KVA). Remains 78.3"H (10KVA-16.7KVA).
- Please contact the factory. 120-minute runtime is not available on 16.7 KVA systems. \*120 minute runtime may change system dimensions-check with factory for details\*
- Anchorage based on calculations. For systems requiring OSHPD/Withstand testing, please contact the factory.
- Maintenance bypass switch is a "make before break."

= Required feature for part number.  
 = Optional feature. Not required for part number.

NOTE: Not all options are described in UL file

**Pick 1:**

- BAC - BACnet (MSTP only)
- BIP - BACnet IP
- IoT - IoT Inverter Cloud Connect
- MOD - Modbus RTU
- MIP - Modbus TCP/IP

**WARRANTY<sup>6</sup>**

- 2YW - Start Up & Same Day Training
- 2YWT - Start Up, Same Day Training and Full Run Test
- 5YP - 5-Year Preventative Maintenance Plan
- 5YW - 5-Year Extended Electronics Warranty
- TR - Training On Day Other Than Start Up

**ACCESSORIES**

- EMBP(BBM)- External Maintenance Bypass<sup>8,14</sup>
- SPAREF - Spare Fuses
- SPARES - Spare Parts Kit - Fuses and PCBs

## DIMENSIONS

Electronics Module (1 Cabinet per System) (Sized for 90 Minute Runtime)								Batteries 90 Minutes @ Full Load (Batteries Internal to Electronics Cabinet)				Total System Weight (lbs)
Partial Model Number	Power Rating (KVA / KW)	Efficiency (Typical %)	Audible Noise (db)	Heat Loss (BTU)	Cabinet Dimensions			Number of Batteries	Voltage (VDC)	Current (amps)	Weight per Battery (lbs)	
					Width (in / cm)	Height (in / cm)	Depth (in / cm)					
I-01	1.75	98	45	119	24 / 61	48 / 122	25 / 64	4	48	46	80	567
I-02	2.5	98	45	170	24 / 61	48 / 122	25 / 64	4	48	66	100	743
I-03	3.75	98	45	255	24 / 61	48 / 122	25 / 64	6	72	66	100	1000
I-05	5.0	98	45	340	24 / 61	48 / 122	25 / 64	8	96	66	100	1257
I-06	6.25	98	45	425	36 / 91	53 / 135	25 / 64	10	120	66	100	1618
I-07	7.5	98	45	510	36 / 91	53 / 135	25 / 64	12	144	66	100	1884
I-10	10.0	98	45	680	42 / 107	78.3 / 199	25 / 64	12	144	88	120	2404
I-12	12.5	98	45	850	42 / 107	78.3 / 199	25 / 64	15	180	88	120	2810
I-16	16.7	98	45	1136	42 / 107	78.3 / 199	25 / 64	20	240	88	120	3470

