

LED-BP-SLIM SERIES

Emergency LED Battery Packs



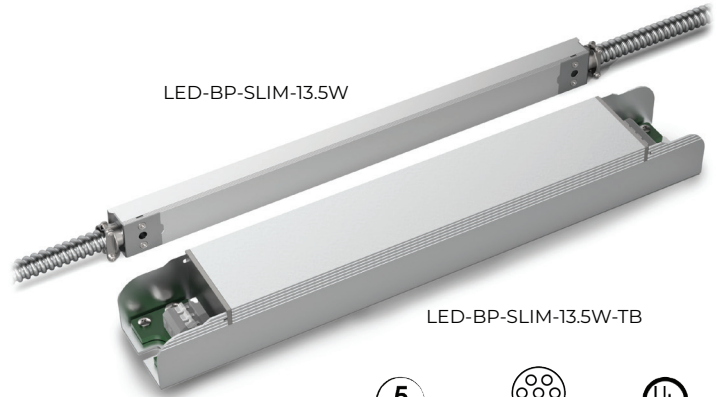
FIELD & FACTORY INSTALLABLE EMERGENCY LED BATTERY PACKS

Flexible Conduit & Push In Terminal Block Models (4.5W, 10W, 13.5W, 18W)

Field & Factory Installable Emergency LED Battery Packs. Slimmest & Lowest Profile in the Industry.

The LED-BP-SLIM Series battery packs allow users to convert normal LED luminaires into approved emergency lighting luminaires. With the slimmest and lowest profile in the industry, these units can be mounted inside or outside of the luminaire.

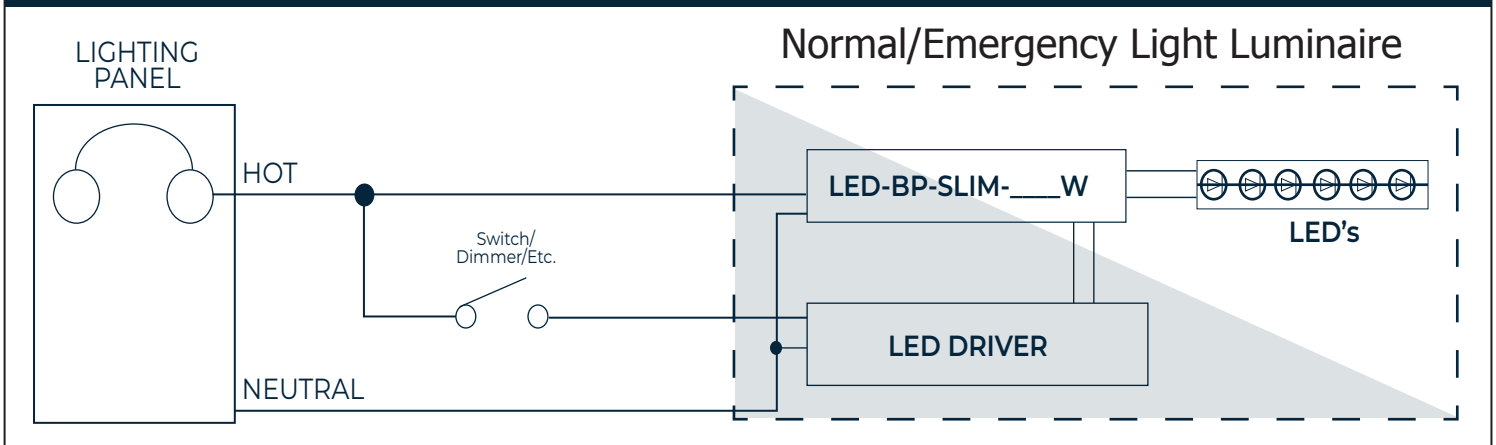
During emergency operation, LED-BP-SLIM automatically transfers to battery power. The automatic voltage detection circuit matches the output voltage to specific LED fixture, and runs it at constant power/light output for a minimum of 90 minutes. When the AC power is restored, the emergency LED-BP-SLIM Series switches the system back to normal mode of operation and resumes battery charging.



STANDARD FEATURES

- Converts Led Luminaires Into Approved Emergency Lights for 90 Minutes
- Constant Power Output With Automatic Overload and Low Battery Protection
- Automatic Voltage Detection: Can Be Used With Led Drivers/Luminaires Operating From 5-300VDC
- Self-Diagnostics
- Li-Ion Batteries Provide Long Life and Are Maintenance-Free
- 5-Year Warranty
- UL924 Listed
- LED Test Switch
- Can Be Mounted Inside or Outside of the Luminaire
- Unique Feature: Conduit Version May Be Converted to TB Version if Installation Requirements Change
- Suitable for Use in Dry or Damp Locations
- Available in 4.5W – 18W Sizes (Approx. 450-1800 Lumen Output)
- 120-277VAC Universal Input

SINGLE LINE DRAWING



LED-BP-SLIM SERIES

Emergency LED Battery Packs

Sizes: 4.5W, 10W, 13.5W, 18W



SPECIFICATIONS - FLEXIBLE CONDUIT MODEL

Model Number	Input Voltage	Input Voltage (VDC)	Output Power (Watts)	Dimensions L x W x H (Inches)	Temperature (°C)	Warranty
LED-BP-SLIM-4.5W	120/277V AC 50/60 Hz	5-200	4.5	10.16 x 1.18 x 0.87	0~55	5-Year Replacement Warranty
LED-BP-SLIM-10W		10-300	10	12.52 x 1.18 x 0.87	0~50	
LED-BP-SLIM-13.5W		15-300	13.5	15.87 x 1.18 x 0.87	0~55	
LED-BP-SLIM-18W		20-300	18	18.43 x 1.18 x 0.87	0~55	

SPECIFICATIONS - PUSH IN TERMINAL BLOCK MODELS

Model Number	Input Voltage	Input Voltage (VDC)	Output Power (Watts)	Dimensions L x W x H (Inches)	Temperature (°C)	Warranty
LED-BP-SLIM-4.5W-TB	120/277V AC 50/60 Hz	5-200	4.5	7.87 x 1.18 x 0.87	0~55	5-Year Replacement Warranty
LED-BP-SLIM-10W-TB		10-300	10	10.24 x 1.18 x 0.87	0~50	
LED-BP-SLIM-13.5W-TB		15-300	13.5	13.58 x 1.18 x 0.87	0~55	
LED-BP-SLIM-18W-TB		20-300	18	16.14 x 1.18 x 0.87	0~55	

Cold Weather rated battery packs available, contact factory for details.

LED TEST SWITCH CONDITIONS:

LTS Slow Blinking: Normal Charging

LTS On: Battery Fully Charged - Normal Condition

LTS Off: Power Failure

LTS Gradual Change: In Testing Mode

LTS Quickly Blinking: Abnormal Condition - Corrective Action Required