

ILLUMINATOR IE-H

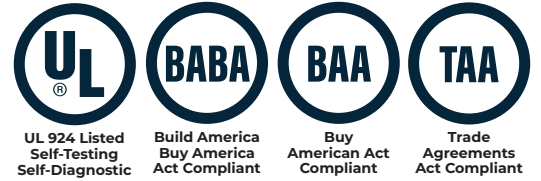
Emergency Lighting Inverter System



SINGLE PHASE SYSTEMS

1.5kVA/kW to 16.7kVA/kW

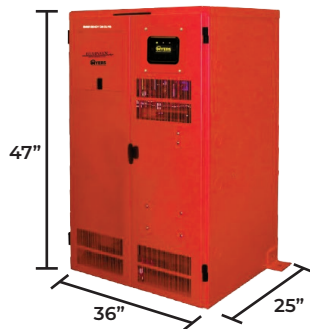
For LED & All Other Non-HID Lighting Loads



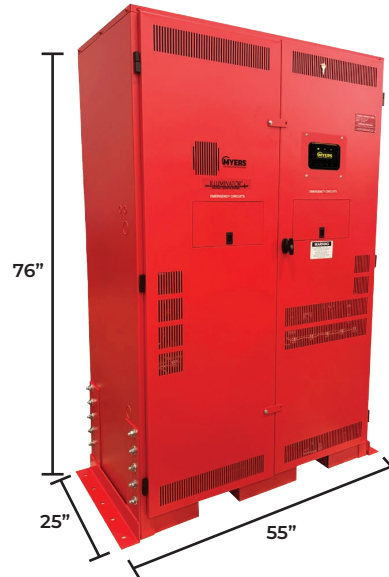
OSHPD Special Seismic Certification Preapproval Number: OSP-0305

The OSHPD Special Seismic Certification Preapproval (OSP) is a voluntary program for review and preapproval of special seismic certification of non-structural components used in California healthcare facility construction.

www.hcai.ca.gov



Models 1.5kVA to 5.0kVA



Models 6.0kVA to 16.7kVA

STANDARD FEATURES

- Withstand Seismic Rating Based on Shaker Table Testing
- 98% Efficient Typical
- Automatic Event, Test, and Alarm Log
- User Programmable With Password Protection
- Input Circuit Breaker
- RS232 Communications Port
- Space-Saving Design
- Maximum Transfer Time 50ms
- NFPA 101 Self Testing and Data Logging
- Code Compliant : 90 Min. Runtime
- 65 KAIC Input Rating
- NEMA Type 1 Cabinet

OPTIONAL FEATURES

- Enhanced Communications
 - Expanded Building Management Protocols
 - BACnet or Modbus Communications Interface
 - NEW IoT Connect Cloud Software
- Internal or External Maintenance Bypass
- Summary Alarm
- Output Circuit Breakers
- Status Monitoring & Summary Form C Contacts
- Normally Off Output with Time Delay
- Output Trip Alarms
- Factory Startup & Training
- Extended Maintenance & Factory Warranty

SPECIFICATIONS

- Input Voltage: 120 or 277VAC | 1-Phase 2-Wire Plus Ground
- Output Voltage: 120 or 277VAC | 1-Phase 2-Wire Plus Ground
- Output Load Power Factor .5 Lag to .5 Lead
- Output Voltage Distortion Less Than 3% THD for Linear Loads
- Custom Voltage Available (Contact Factory)
- Forced Air Cooling Only During Emergency Operation; No Filters Required
- Compatible With All Non-HID Lighting Including LED Drivers
- Compatible With Generators (10x Inverter Size)
- 90 Minute Runtime Standard; Extended Runtimes Available upon Request

ILLUMINATOR IE-H

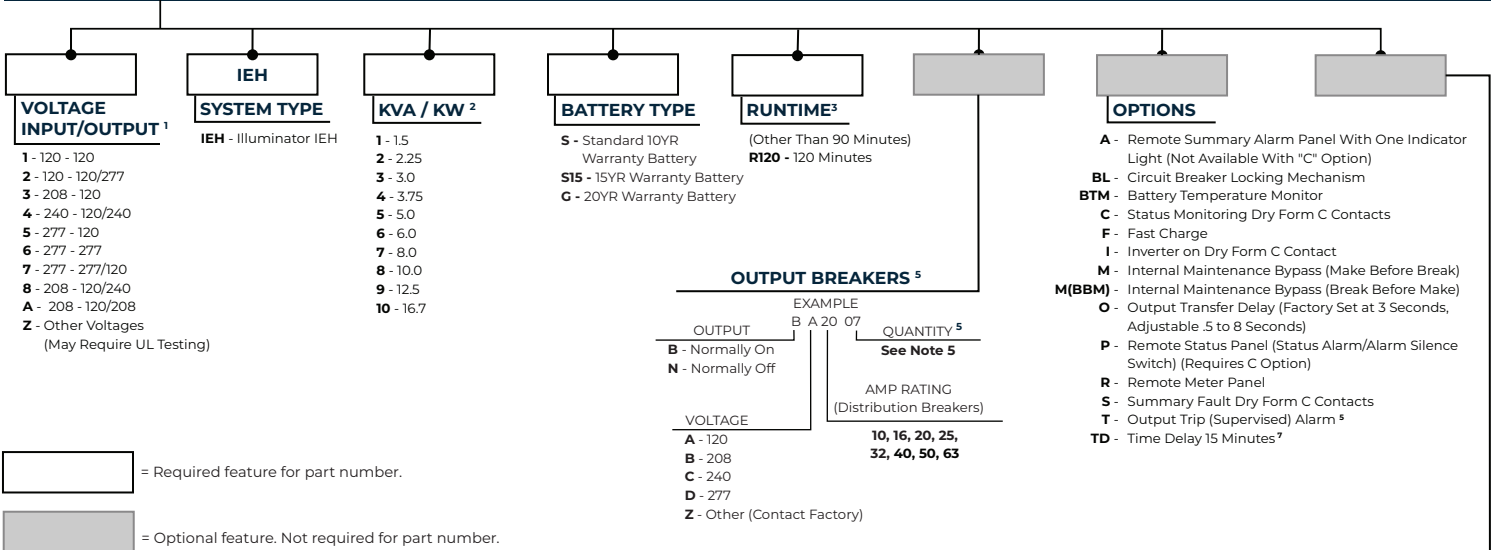
Emergency Lighting Inverter

Single Phase Systems 1.5kVA/kW to 16.7kVA/kW



ORDERING GUIDE

EXAMPLE MODEL # 1-IEH-4-S-BA2007-T-S-M-2YW



ACCESSORIES

- DT - Drip Top (NEMA 2)^a
- EMBP - External Maintenance Bypass Switch^{A, B}
- SPARES - Spare Fuses & Circuit Boards
- SPAREF - Spare Fuses

A) With External Maintenance Bypass Switch, only main output breaker is available.
 B) Accessories are not shaker table tested.

1. Only single phase voltages available.
 2. KVA= KW
 3. Standard battery runtime is 90 minutes. Contact factory for other runtimes. 120-minute run time is not available for 16.7kVA systems.
 4. Normally off loads cannot exceed 20% of total kVA rating with any combination of HID loads.
 5. Maximum output breakers available: 12 unsupervised (1-pole), 8 supervised (1-pole) for 1.5kVA-5kVA; 24 unsupervised (1-pole), 18 supervised (1-pole) for 6kVA-16.7kVA; Breakers provided are 20 Amps unless specified otherwise. A 2-pole breaker occupies 2 positions. Additional output breakers available on 1.5kVA-5kVA units with optional top mount enclosure. Contact factory for details.
 6. One year warranty is standard.
 7. Time delay of normally off circuit will stay activated 15 minutes after return of utility.

WARRANTY & ONSITE SERVICES⁶

- 2YW - Start Up & Same Day Training (Increases Standard 1 Year Electronics Warranty to 2 years)
- 2YWT - Start Up, Same Day Training and Full Run Test (Increases Standard 1 Year Electronics Warranty to 2 years)
- 5YP - 5-Year Maintenance Plan
- 5YW - 5-Year Extended Electronics Warranty (Includes 3 Years of Extended Electronics Warranty When Combined With 2YW)
- TR - Training (If Required on Day Other Than Start Up)

Electronics Module									Batteries 90 Minutes @ Full Load				Total System Weight (lbs / kg)
Partial Model Number	Power Rating (kVA / W)	Efficiency (Typical Percent)	Audible Noise (db)	Heat Loss (BTU)	Cabinet Dimensions				90 Minutes Batteries (lbs / kg)	Number of Batteries	Voltage (VDC)	Current (amps)	
					Width (in / cm)	Height (in / cm)	Depth (in / cm)	Weight (lbs / kg)					
IEH-1-S	1.5	98	45	102	36 / 77	47 / 119	25 / 64	215 / 98	296 / 135	4	48	39	511 / 230
IEH-2-S	2.25	98	45	153	36 / 77	47 / 119	25 / 64	230 / 105	444 / 200	6	72	38	679 / 306
IEH-3-S	3.0	98	45	204	36 / 77	47 / 119	25 / 64	235 / 107	592 / 266	8	96	38	827 / 372
IEH-4-S	3.75	98	45	255	36 / 77	47 / 119	25 / 64	240 / 109	740 / 330	10	120	37	980 / 441
IEH-5-S	5.0	98	45	340	36 / 77	47 / 119	25 / 64	280 / 128	888 / 400	12	144	40	1168 / 525
IEH-6-S	6.0	98	45	408	55 / 122	76 / 193	25 / 64	605 / 272	1110 / 500	15	180	40	1715 / 772
IEH-7-S	8.0	98	45	544	55 / 122	76 / 193	25 / 64	640 / 288	1480 / 666	20	240	39	2120 / 954
IEH-8-S	10.0	98	45	680	55 / 122	76 / 193	25 / 64	785 / 353	1776 / 800	24	144	82	2561 / 1153
IEH-9-S	12.5	98	45	860	55 / 122	76 / 193	25 / 64	805 / 362	2220 / 999	30	180	82	3025 / 1361
IEH-10-S	16.7	98	45	1135	55 / 122	76 / 193	25 / 64	885 / 398	2960 / 1332	40	240	80	3845 / 1730